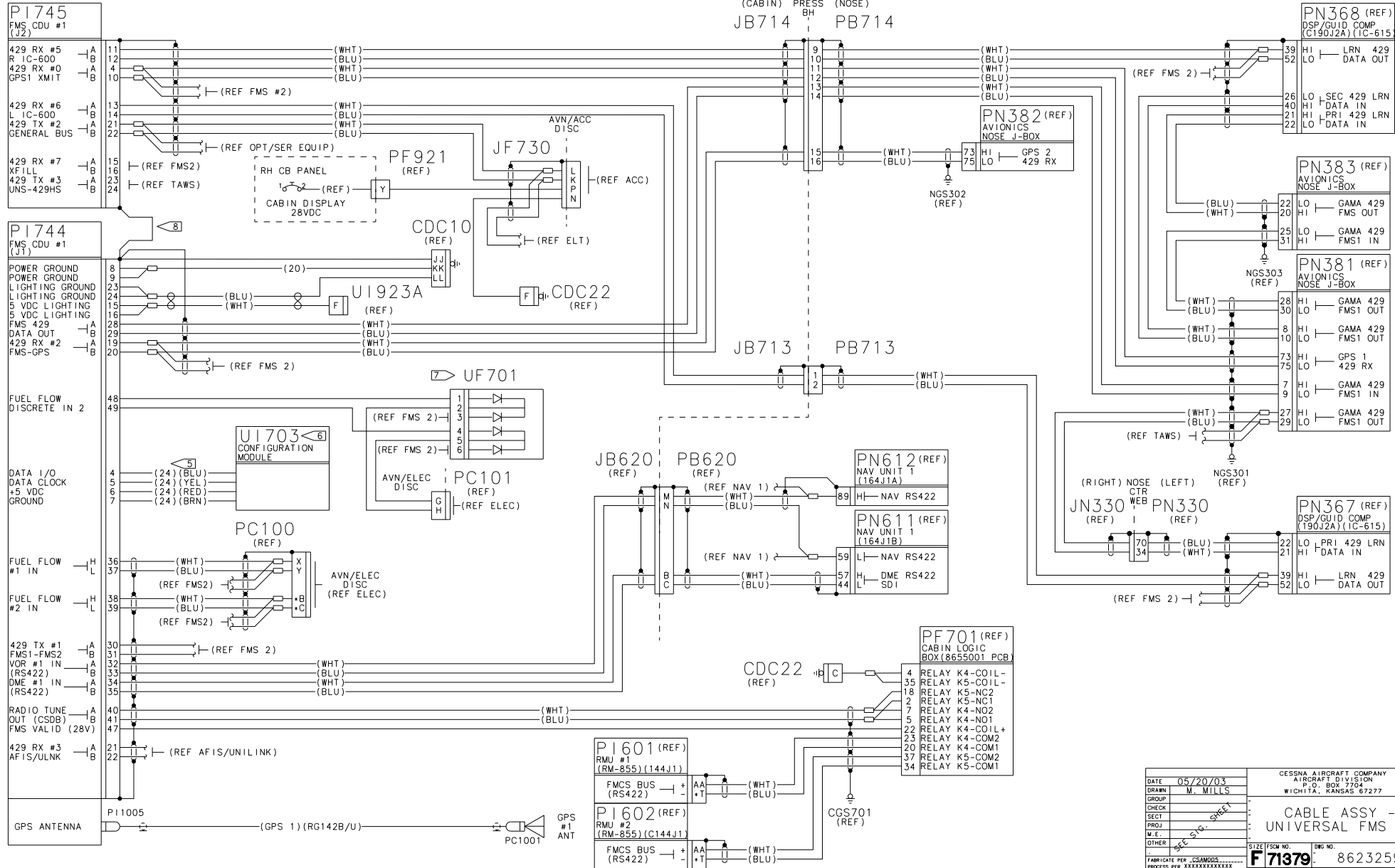


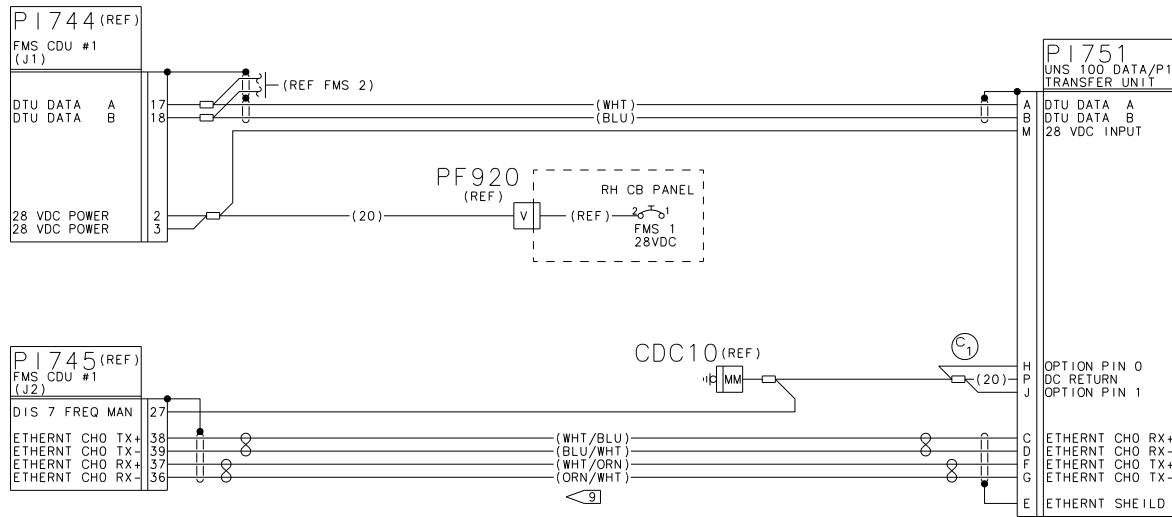
NOTES:

- THIS DRAWING FILED IN CCD.
- UNSHIELDED SINGLE CONDUCTOR WIRE SHALL BE PER M81044/12-XX-9.
SHIELDED PAIR PER M27500-XXML2T08
TWISTED PAIR PER M27500-XXML2U00
(XX=22 AWG EXCEPT AS NOTED)
- FOR LIGHTING & GND BLOCK/STUD LOCATIONS, REFER TO THE LIGHTING & GND BLOCK/STUD INSTL DWGS CALLED OUT ON THE AVIONICS INSTL KIT.
- AN ASTERISK INDICATES LOWER CASE LETTERS.
- VENDOR SUPPLIED WIRES.
- THE CONFIGURATION MODULE IS MOUNTED ON, AND BECOMES PART OF THE CONNECTOR STRAIN RELIEF.
- LOCATE AS CLOSE AS POSSIBLE TO P1745 CONNECTOR. SECURE COMPONENT TO WIRE BUNDLE WITH TIE WRAPS.
- PERMISSIBLE TO DEVIATE FROM HIRF REQUIREMENTS AS DEFINED BY CSAM012.
- ECS P/N 392404. ELECTRONIC CABLE SPECIALISTS, FRANKLIN, WI.

REV I S I O N S				
SHEET	REV	DESCRIPTION	DATE	APPROVED
2	B	REDRAWN WITH CHANGES: 1) ADDED DTU-100 & PAGE 2. EFF: EC52743	08/14/03 MAM	SEE SIGNATURE SHEET
	C	REVISED WITH CHANGES: 1) ADDED 20AWG WIRE. EFF: EC52743	12/15/03 KSB	SEE SIGNATURE SHEET



DATE	05/20/03	CESNA AIRCRAFT COMPANY
DRAWN	M. MILLS	AIRCRAFT DIVISION
GROUP		P. O. BOX 7704
CHECK		WICHITA, KANSAS 67277
SECT		
PROJ		
M.E.		
OTHER		
FABRICATE PER CSAM012		SIZE FSCM NO.
PROCESS PER 3445XXXXXX		8623259
WIRE TERMINATION PER 3522716		8623259
		SCALE:



DATE	08/14/03	CESSNA AIRCRAFT COMPANY
DRAWN	M. MILLS	AIRCRAFT DIVISION
GROUP		P. O. BOX 7704
CHECK		WICHITA, KANSAS 67277
SECT		CABLE ASSY - UNIVERSAL FMS #1
PROJ		
M.E.		
OTHER		
FABRICATE PER	CSAM025	SIZE FSCM NO.
PROCESS PER	XXXXXXXXXX	DRG NO.
WIRE TERMINATION PER	SESZ716	F71379 8623259
		SCALE: SCL
		SHEET 2 OF 2