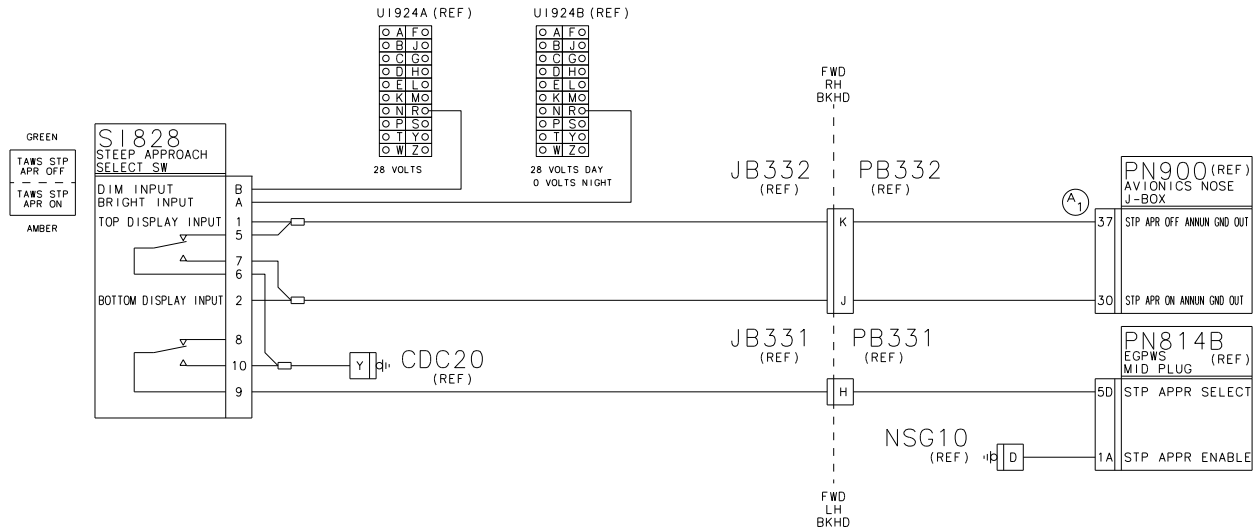


REVISIONS			
SHEET	REV	DESCRIPTION	DATE APPROVED
1	A	BY REVISION: T) PN900 PIN 37 WAS PIN 28.	11/08/04 MAM
EFF: EC 565549			

NOTES:

1. THIS DRAWING FILED IN CCD.
2. ALL SINGLE CONDUCTOR WIRE SHALL BE PER M81044/12-22-9.
3. REFER TO GROUND BLOCK INSTALLATION DRAWING FOR GND BLOCK LOCATIONS.



DATE	8/16/2004	CESSNA AIRCRAFT COMPANY
DRAWN	GARY SCHWEIZER	AIRCRAFT DIVISION
GROUP		P. O. BOX 7704
CHECK		WICHITA, KANSAS 67277
SECT		
PROJ		
M.E.		
OTHER		
FABRICATE PER CSAMDS		SIZE FSCM NO.
PROCESS PER 33X3X3X3X3X3X		DWG NO.
WIRE TERMINATION PER 3552716		<b>F71379</b> 8616182
SCALE NONE		PARENT: 8690037 SHEET 1 OF 1

8616182 A

EC-565529