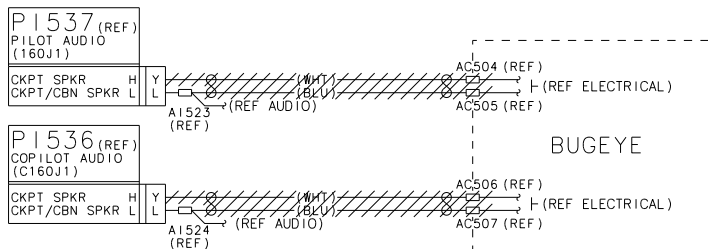


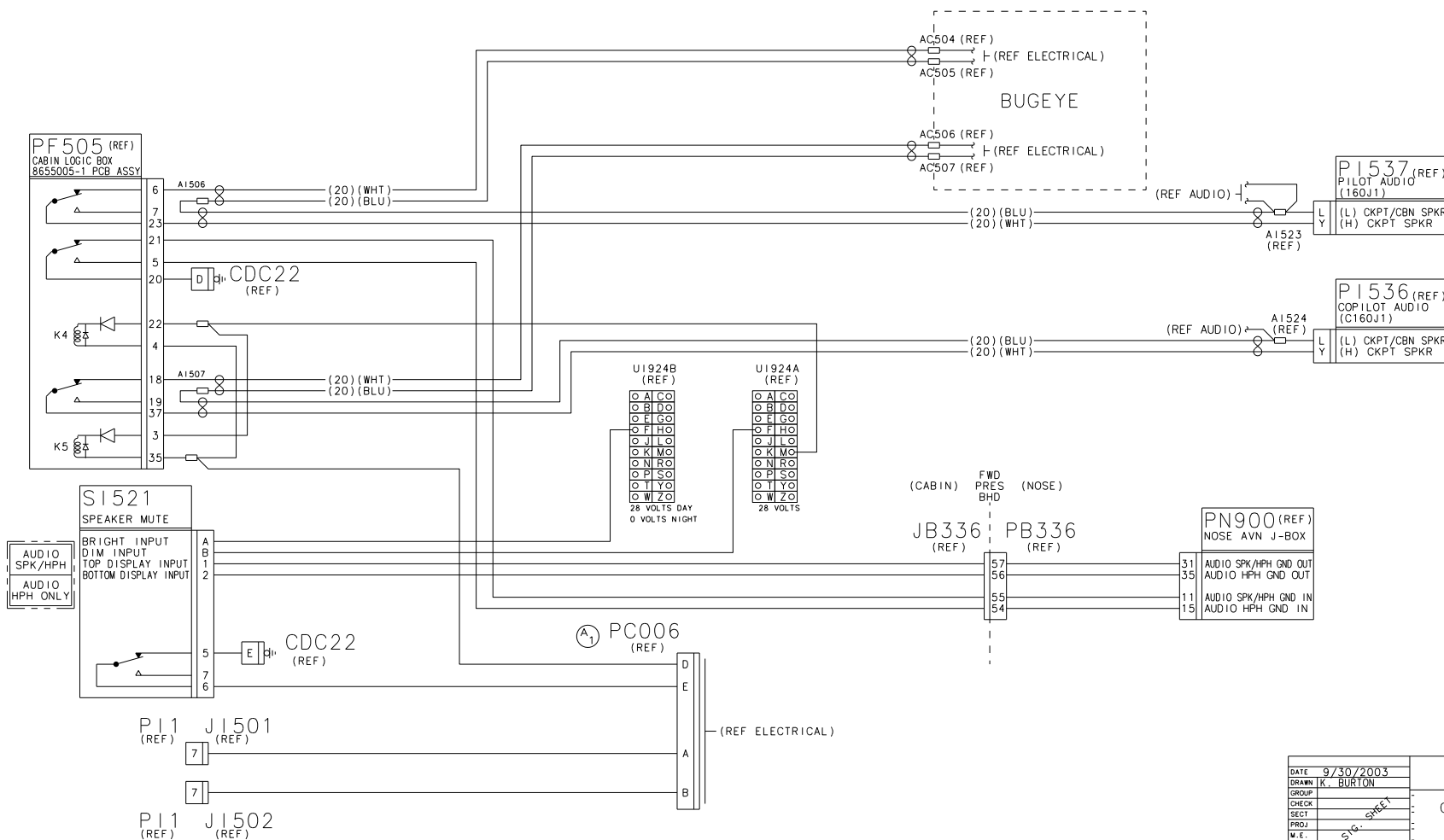
NOTES:

1. THIS DRAWING FILED IN CCD.
2. FOR GND BLOCK/STUD LOCATIONS, REFER TO GND BLOCK/STUD INSTL DWG CALLED OUT ON THE AVIONICS INSTL KIT.
3. AN ASTERICK PRECEEDING A LETTER INDICATES LOWER CASE.
4. SLEEVE ALL EXPOSED TERMINALS WITH HEAT SHRINK SLEEVING.
- 5 REMOVE HASHED WIRES.
6. SINGLE CONDUCTOR UNSHIELDED WIRE PER M81044/12-XX-9 TWISTED PAIR PER M27500-XXML2U00 (XX = 22 AWG, EXCEPT AS NOTED)

REVISIONS				
SHEET	REV	DESCRIPTION	DATE	APPROVED
1	A	BY REVISION: 1) ADDED "(REF)".	08/13/04	MM
EFF: EC 054687				



REMOVE WIRES



ADD WIRES

DATE	9/30/2003	CESSNA AIRCRAFT COMPANY
DRAWN	K. BURTON	AIRCRAFT DIVISION
CHECK		P. O. BOX 7704
GROUP		WICHITA, KANSAS 67277
SECT		C/A - SPEAKER MUTE
PROJ		AUDIO MOD
M.E.		
OTHER		
FABRICATE PER CSAMDS		SIZE FSCM NO.
PROCESS PER XXXXXXXXXX		DRG NO.
WIRE TERMINATION PER 5652716		F71379 8615182
SCALE:		SHEET 1 OF 1

8615182