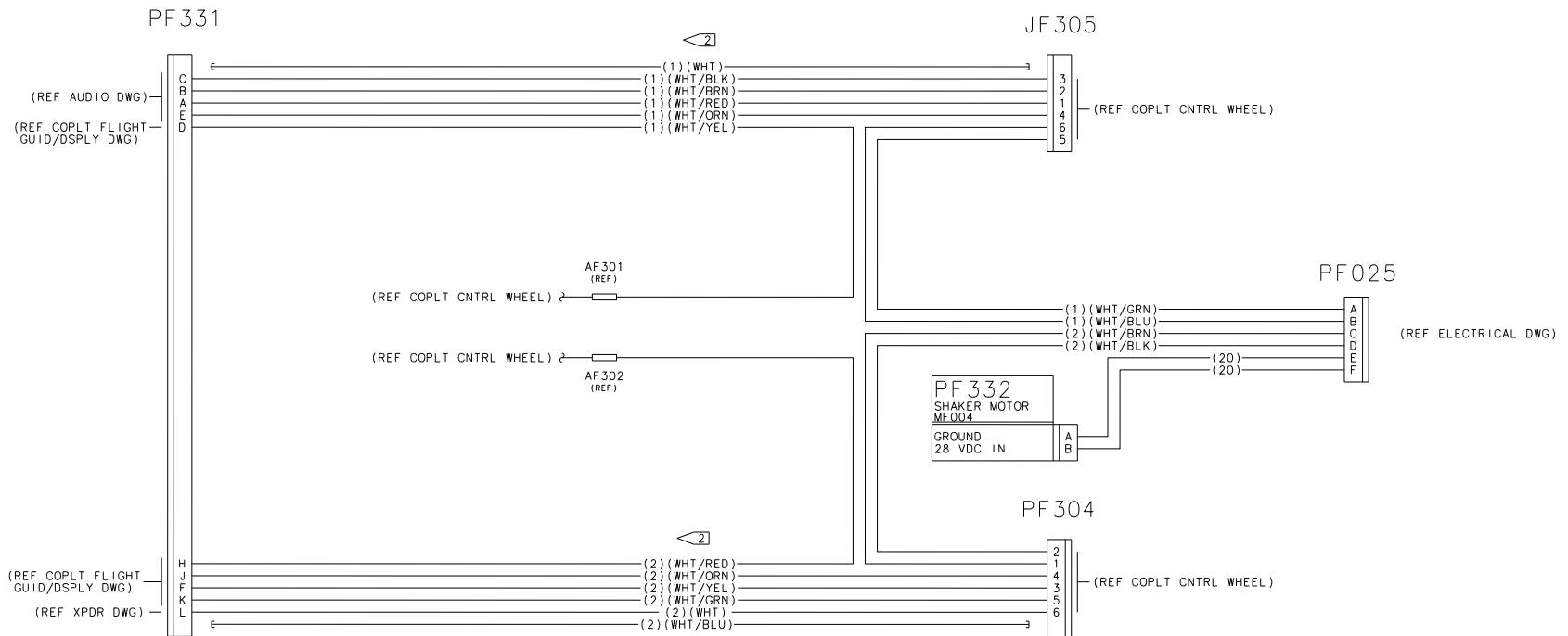


NOTES:

1. THIS DWG FILED IN CCD.
2. REFER TO P/L NOTE 1 FOR CABLE PART NUMBER.
3. ALL WIRE PER MIL-W-81044/12, 22 AWG. EXCEPT AS NOTED.

REVISIONS				
SHEET	REV	DESCRIPTION	DATE	APPROVED



DATE	06/11/02	CESSNA AIRCRAFT COMPANY
DRAWN	RUSSELL SHARP	AIRCRAFT DIVISION
GROUP		P. O. BOX 7704
CHECK		WICHITA, KANSAS 67277
SECT		
PROJ		
M.E.		
OTHER		
FABRICATE PER CSAMDS		SIZE FSCM NO.
PROCESS PER SAASAAKXKXKX		DWG NO.
WIRE TERMINATION PER DESZ716		F71379 8612142
SCALE:		SHEET 1 OF 1

8612142 1 EC 565313