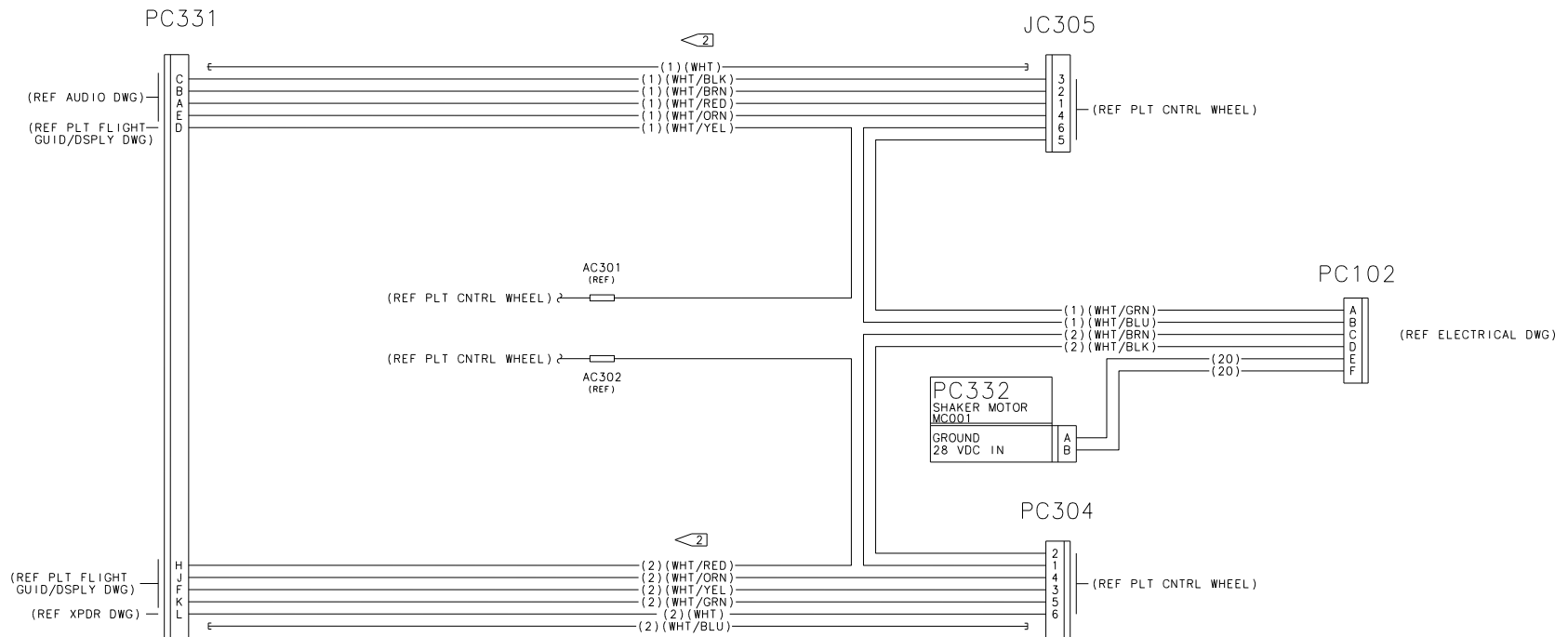


NOTES:

1. THIS DWG FILED IN CCD.
2. REFER TO P/L NOTE 1 FOR CABLE PART NUMBER
3. ALL WIRE PER MIL-W-81044/12, 22 AWG. EXCEPT AS NOTED

REVISIONS			
SHEET	REV	DESCRIPTION	DATE APPROVED



DATE 06/11/02		CESSNA AIRCRAFT COMPANY	
DRAWN A. OLECHOWSKI		AIRCRAFT DIVISION	
GROUP		P. O. BOX 7704	
CHECK		WICHITA, KANSAS 67277	
SECT		C/A - PILOT'S CONTROL COLUMN	
PROJ			
M.E.			
OTHER			
FABRICATE PER CSAM002		SIZE FSCM NO.	DWG NO.
PROCESS PER 333333333333		F71379	8612141
WIRE TERMINATION PER 0522716		SCALE:	SHEET 1 OF 1

8612141 1 EC 565313