

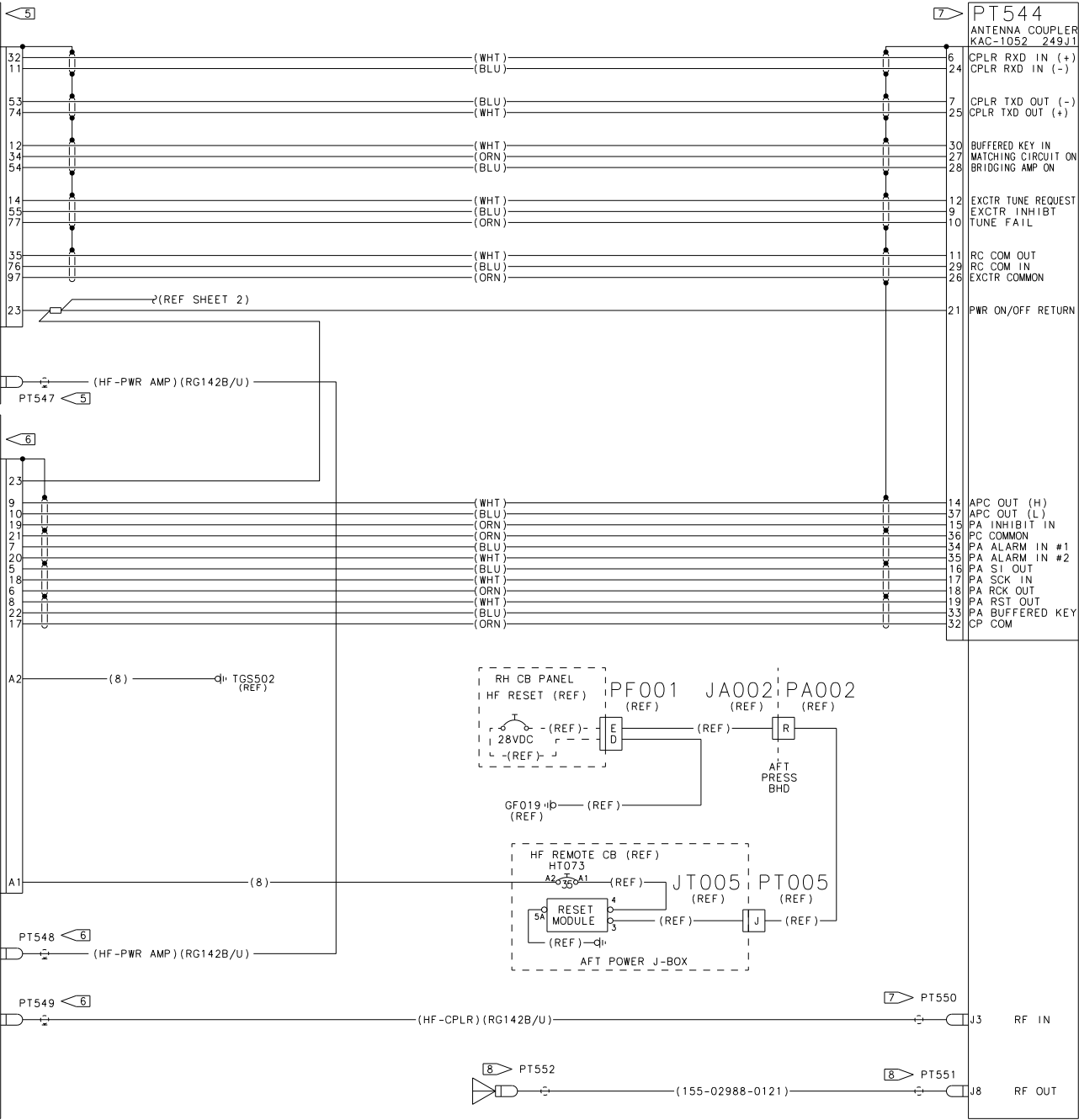
PT545
RCVR/EXC 76J1
KRX-1053

CPLR RXD OUT (+)
CPLR RXD OUT (-)
CPLR TXD IN (-)
CPLR TXD IN (+)
BUFFERED KEY OUT
MATCHING CIRCUIT ON
BRIDGING AMP ON
EXCTR TUNE REQUEST
EXCTR INHIBIT
TUNE FAIL
RC COM IN
RC COM OUT
EXCTR COMMON
PWR ON/OFF CONT

PT546
HF POWER AMP
KPA-1052 250J4

PWR ON/OFF CONT
APC IN (H)
APC IN (L)
PA INHIBIT OUT
PC COMMON
PA ALARM OUT #1
PA ALARM OUT #2
PA SI IN
PA SCK OUT
PA RCK IN
PA RST IN
PA BUFFERED KEY
CP COM

POWER GND
28VDC
RF IN
RF OUT



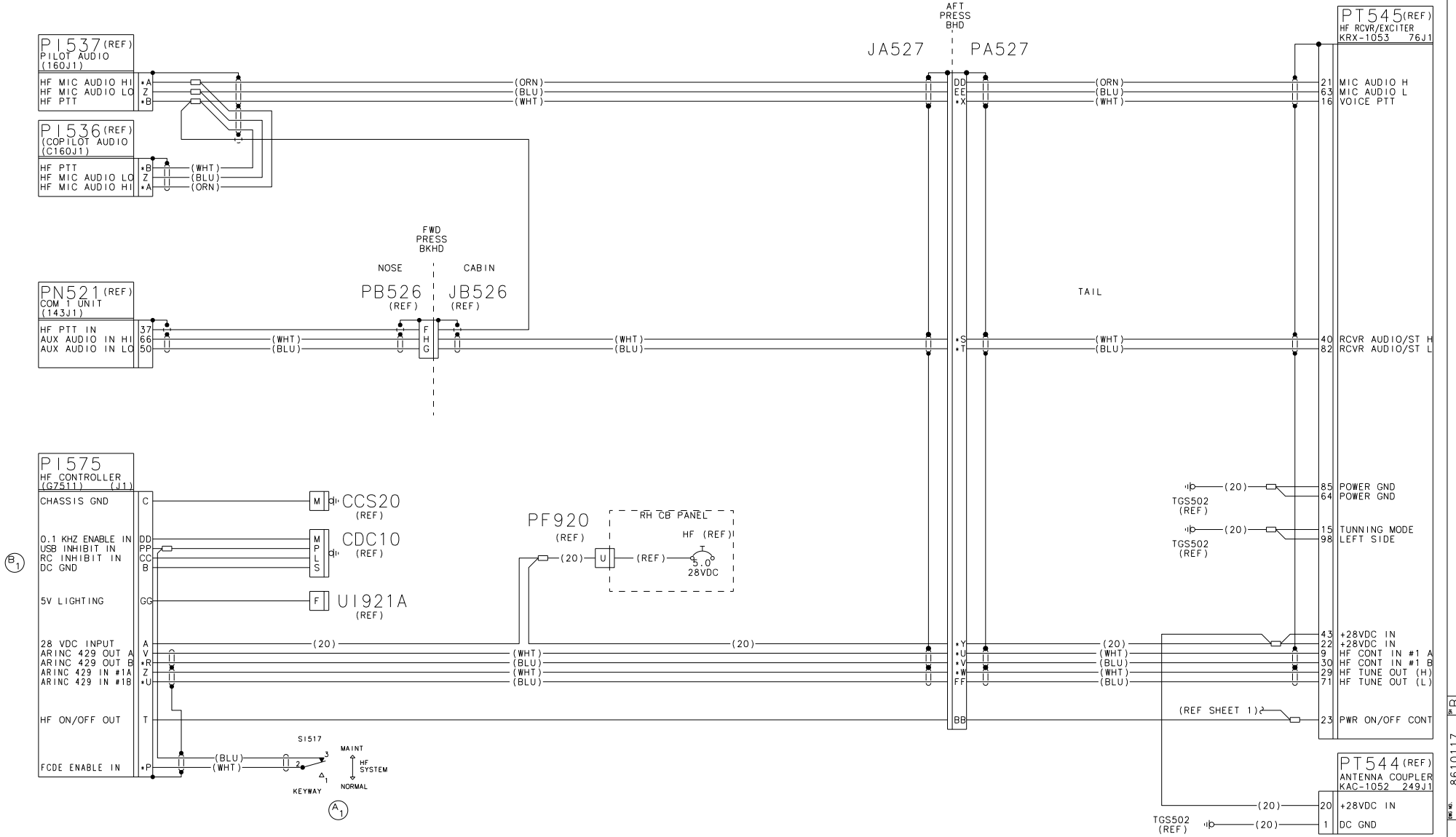
REVISIONS				
SHEET	REV	DESCRIPTION	DATE	APPROVED
2	A	BY REVISION: 1) ADDED SWITCH S1517 AND ASSOCIATED WIRES. EC 52743	12/11/03 RS	
2	B	BY REVISION: 1) CORRECTED DUPLICATE PIN CALLOUT PPP1575. EC 52743	1/29/04 RS	

NOTES:

- THIS DRAWING FILED IN CCD.
 - FOR LIGHTING & GND STUD/BLOCK LOCATIONS, REFER TO LIGHTING & GND STUD/BLOCK INSTL DWGS CALLED OUT ON THE AVIONICS INSTL KIT.
 - AN ASTERISK PRECEDING A LETTER INDICATES LOWER CASE.
 - UNSHIELDED WIRE SHALL BE PER M81044/12-XX-9. TWO CONDUCTOR SHIELDED WIRE PER M27500-XXML2T08. THREE CONDUCTOR SHIELDED WIRE PER M27500-XXML3T08. TWO CONDUCTOR TWISTED WIRE PER M27500-XXML2U00 (XX = 22 AWG, EXCEPT AS NOTED).
- 5) PART OF KRX-1053 CONN KIT. REFERENCE P/L NOTE 1 FOR INDIVIDUAL KIT P/NS & ASSOCIATED REFDES.
 6) PART OF KPA-1052 CONN KIT. REFERENCE P/L NOTE 2 FOR INDIVIDUAL KIT P/NS & ASSOCIATED REFDES.
 7) PART OF KAC-1052 CONN KIT. REFERENCE P/L NOTE 3 FOR INDIVIDUAL KIT P/NS & ASSOCIATED REFDES.
 8) PART OF KAC-1052 HF COAX CABLE ASSY. REFERENCE P/L NOTE 4 FOR INDIVIDUAL P/NS & ASSOCIATED REFDES.

DATE	5/27/2003	CESSNA AIRCRAFT COMPANY
DRAWN	GARY SCHWEITZER	AIRCRAFT DIVISION
CHECK		P. O. BOX 7784
SECT		WICHITA, KANSAS 67277
PROJ		CABLE ASSY-
M.E.		KHF-1050 HF COMM
OTHER		
FABRICATE PER	CSAW005	SIZE
PROCESS PER	22XXXXXX02XXXX	FSM NO.
WIRE TERMINATION PER	CS62226	DWG NO.
		F71379
		8610117
		SCALE: SCL [PARENT: 8610117] SHEET 1 OF 2
		CS FORM 1872

8610117 B



DATE	5/27/2003	CESSNA AIRCRAFT COMPANY
DRAWN	GARY SCHWEIZER	AIRCRAFT DIVISION
GROUP		P.O. BOX 7704
CHECK		WICHITA, KANSAS 67277
SECT		
PROJ		
M.E.		
OTHER		
FABRICATE PER	CSAMDS	SIZE FSCM NO.
PROCESS PER	XXXXXXX	F71379
WIRE TERMINATION PER	SSZ216	8610117
		SCALE SCL