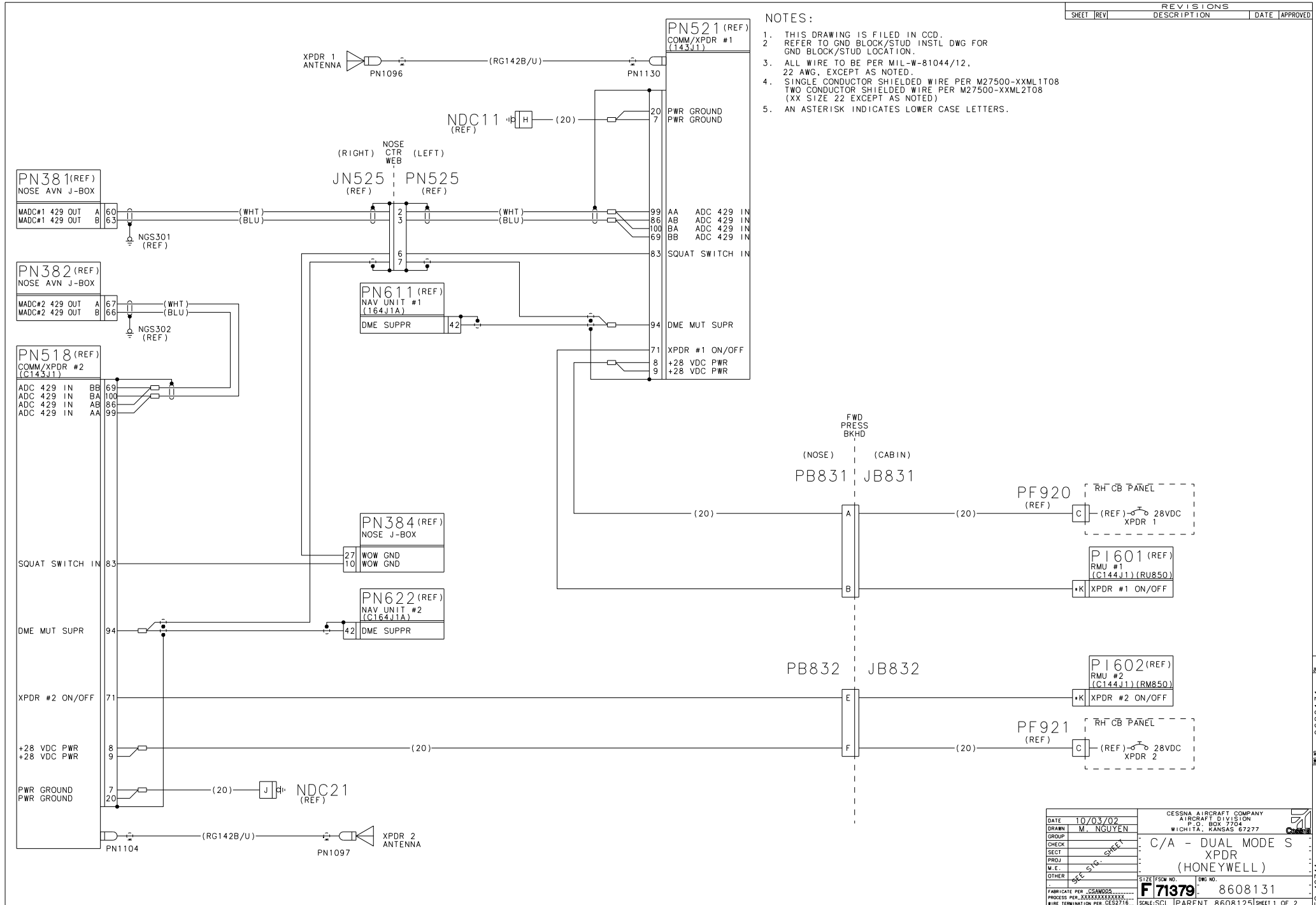


REVISIONS				
SHEET	REV	DESCRIPTION	DATE	APPROVED

NOTES:

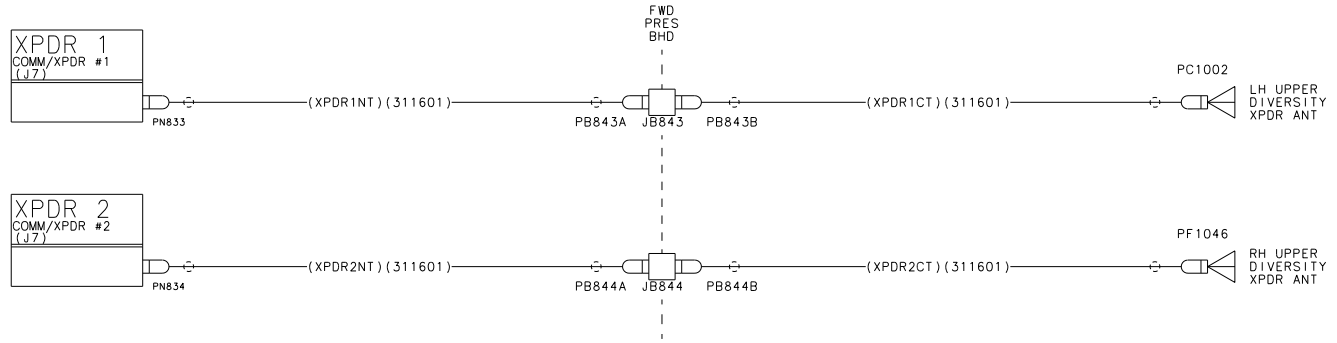
1. THIS DRAWING IS FILED IN CCD.
2. REFER TO GND BLOCK/STUD INSTL DWG FOR GND BLOCK/STUD LOCATION.
3. ALL WIRE TO BE PER MIL-W-81044/12, 22 AWG, EXCEPT AS NOTED.
4. SINGLE CONDUCTOR SHIELDED WIRE PER M27500-XXML1T08  
TWO CONDUCTOR SHIELDED WIRE PER M27500-XXML2T08  
(XX SIZE 22 EXCEPT AS NOTED)
5. AN ASTERISK INDICATES LOWER CASE LETTERS.



DATE	10/03/02	CESSNA AIRCRAFT COMPANY AIRCRAFT DIVISION P.O. BOX 7700 WICHITA, KANSAS 67277
DRAWN	M. NGUYEN	
GROUP		C/A - DUAL MODE S XPDR (HONEYWELL)
CHECK		
SECT		
PROJ		
M.E.		
OTHER		SIZE: F30M NO. DWG NO.
FABRICATE PER: CSANODS		<b>F71379</b> 8608131
PROCESS PER: XXXXXXXXXXXXX		SCALE: SCL PARENT 8608125 SHEET 1 OF 2
WIRE TERMINATION PER: SS52736		

8608131  
EC 49741  
W.O.XL 2958

REVISIONS			
SHEET	REV	DESCRIPTION	DATE APPROVED



DATE	10/03/02	CESSNA AIRCRAFT COMPANY
DRAWN	M. NGUYEN	AIRCRAFT DIVISION
GROUP		P. O. BOX 7704
CHECK		WICHITA, KANSAS 67277
SECT		C/A - DUAL MODE S
PROJ		XPDR
M. E.		(HONEYWELL)
OTHER		
FABRICATE PER CSAM005	SIZE FROM NO.	DWG NO.
PROCESS PER XXXXXXXXXXXXX	<b>F 71379</b>	8608131
WIRE TERMINATION PER DS22716	SCALE:	SHEET 2 OF 2

CES FORM 1872

8608131