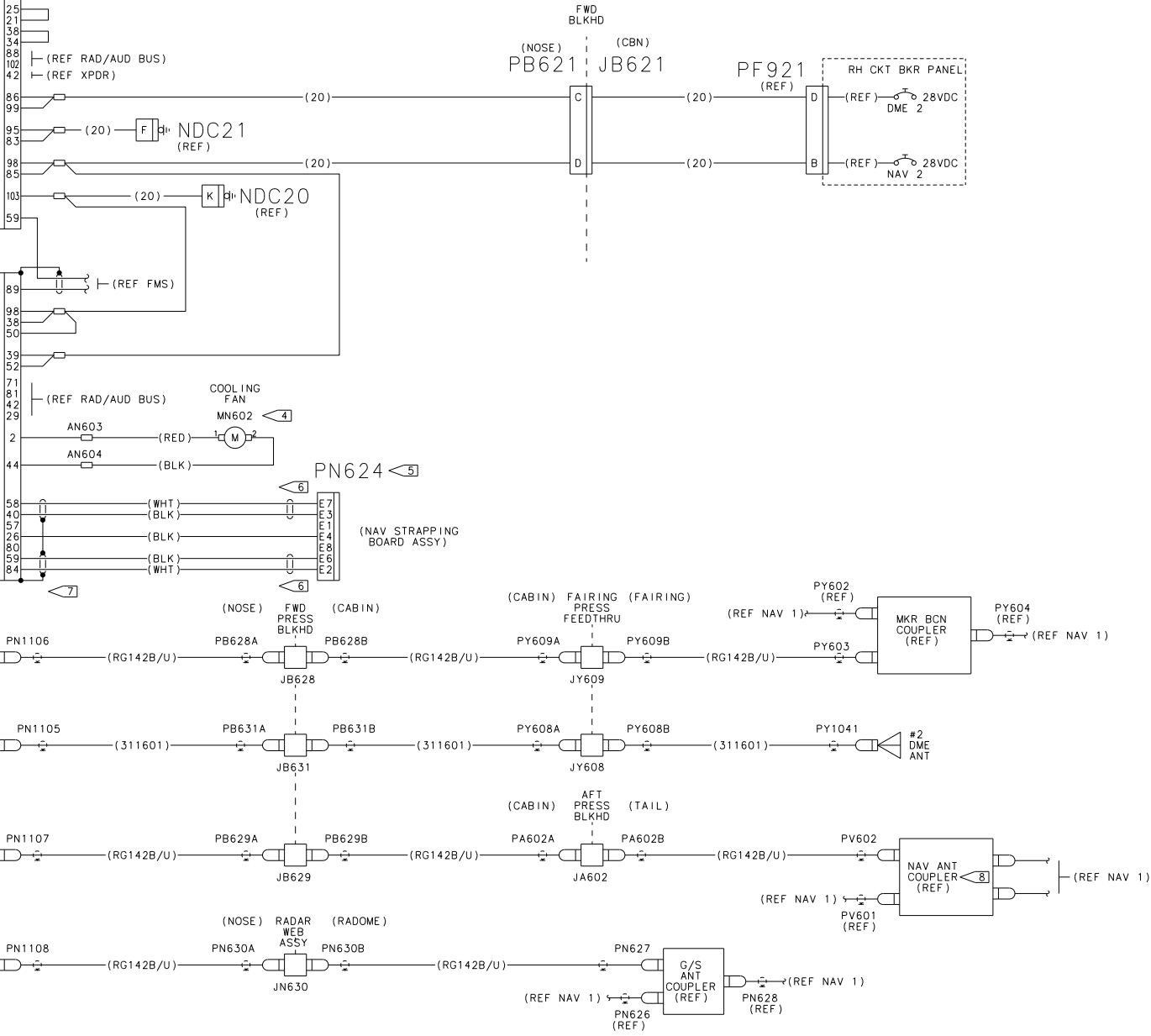


PN622
NAV UNIT 2
(C164J1A)

- 25 MLS1 RCB RCVR (H)
- 21 MLS1 RCB XMIT (H)
- 38 MLS1 RCB RCVR (L)
- 34 MLS1 RCB XMIT (L)
- 88 R SEC RSB (H)
- 102 R SEC RSB (L)
- 42 MUTE SUPP
- 86 DME +28VDC IN
- 99 DME +28VDC IN
- 95 DME 28V RETURN
- 83 DME 28V RETURN
- 98 NAV +28VDC IN
- 85 NAV +28VDC IN
- 103 CLUSTER GND
- 59 VOR/ILS RS422

PN623
NAV UNIT 2
(C164J1B)

- 89 VOR/ILS RS422
- 98 CLUSTER GND
- 38 NAV PWR GND
- 50 NAV PWR GND
- 39 NAV +28VDC IN
- 52 NAV +28VDC IN
- 71 PRI RSB (H)
- 81 PRI RSB (L)
- 42 DIG AUDIO (H)
- 29 DIG AUDIO (L)
- 2 +28VDC FAN PWR
- 44 28VDC FAN RTN
- 58 STRAP DATA
- 40 STRAP +5VDC
- 57 SIDE SPARE
- 26 STRAP GND
- 80 SIDE SELECT
- 59 STRAP CLOCK
- 84 STRAP WD LOAD



NOTES:

1. THIS DRAWING IS FILED IN CCD.
2. UNSHIELDED SINGLE CONDUCTOR WIRE PER M81044/12-XX-9. SHIELDED TWO CONDUCTOR PER M27500-XXML2T08. (XX=22 AWG EXCEPT AS NOTED)
3. FOR GND BLOCK/STUD LOCATIONS, REFER TO THE GND BLOCK/STUD INSTALLATION DRAWING CALLED OUT ON THE AVIONICS INSTALLATION KIT.
4. COOLING FAN & WIRES ARE FURNISHED AS PART OF NAV TRAY. REFERENCE NOSE EQUIPMENT INSTALLATION DRAWING FOR P/N.
5. STRAP BOARD CONNECTOR, GROMMET & WIRES ARE FURNISHED AS PART OF STRAP ASSY KIT CALLED OUT IN NOSE EQUIP INSTALLATION. REFER TO P/L NOTE 1.
6. PERMISSIBLE TO DEVIATE FROM HIRF REQ. AS DEFINED IN CSAM012.
7. TERMINATE SHIELD BRAID AT GROUND STUD ON RACK.
8. NAV ANTENNA COUPLER IS FURNISHED AS PART OF ANTENNA KIT. REFERENCE ANTENNA INSTALLATION DRAWING FOR P/N.

DATE	01/6/05	CESSNA AIRCRAFT COMPANY AIRCRAFT DIVISION P.O. BOX 7704 WICHITA, KANSAS 67277	
DRAWN	J. OPLIGER		
GROUP		CABLE ASSY- NAV/DME 2	
CHECK			
SECT			
PROJ			
M.E.			
OTHER			
FABRICATE PER CSAM005		SIZE FSCM NO.	8603114
PROCESS PER 33XXXXXXX		DRG NO.	8603114
WIRE TERMINATION PER 3552716		SCALE:	PARENT 8603112 SHEET 1 OF 1

8603114
1
6
EC: 055771