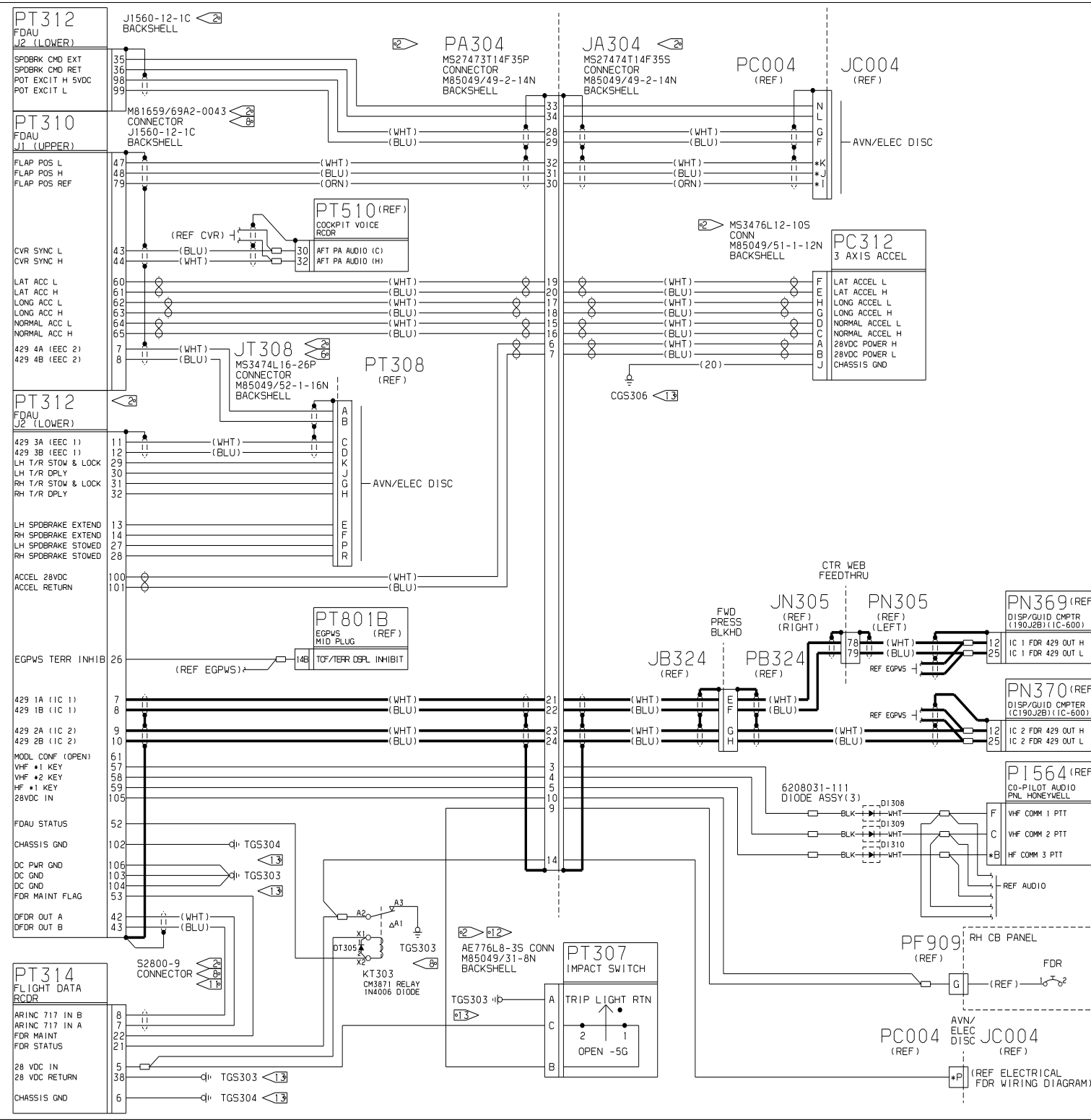


REVISIONS				
SHEET	REV	DESCRIPTION	DATE	APPROVED
1	A	BY REVISION: 1)EC47861 WAS EC44224. EFF: EC47861	4/24/01 MLV	SEE SIGNATURE SHEET



- NOTES:
- THIS DRAWING FILED IN CCD.
 - AFFIX CM2987-5 ID TAG NEAR PLUG.
 - AN ASTERISK PRECEDING A LETTER INDICATES LOWER CASE.
 - SINGLE CONDUCTOR WIRE PER M81044/12-XX-9. SHIELDED PAIR CONDUCTOR PER M27500-XXML2T08. SHIELDED TRIPLE CONDUCTOR PER M27500-XXML3T08. TWISTED PAIR PER M27500-XXML2U00 (XX=AWG 22 EXCEPT AS NOTED).
 - REFER TO 8654500 FOR LOCATION OF GND BLOCKS AND GND STUDS.
 - LOCATE DISCONNECT ADJACENT TO THE FDR INSTL. ROUTE FDR WIRING WITH EXISTING BUNDLE. TIE DISCONNECT SECURELY WITH WIRE BUNDLE.
 - MISC HARDWARE:
M81824/1-1 SPLICE
S2974N1 SOLDER SLEEVE
S2974N3 SOLDER SLEEVE
MS25036-103 TERMINAL
M7928/1-13 22GA NO. 6 TERMINAL
M7928/1-14 22GA NO. 8 TERMINAL
M7928/1-15 22GA NO. 10 TERMINAL
S2974-8 SHIELD TERMINATION
 - THE POLARIZING POSTS ARE INCLUDED WITH THE CONN AS LOOSE EQUIPMENT. INSTALL THE CONNECTOR DURING ASSY. THE POLARIZATION POSITION IS TO MATE WITH THE MATING CONNECTOR ON THE VENDOR BOX.
 - BOLD LINES SHALL MEET THE HIRF GUIDELINES AS SPELLED OUT ON THE AVIONICS CABLE KIT.
 - USE ONLY WHEN TERMINATING 2 OR MORE CONDUCTORS. FOR SINGLE CONDUCTOR TERMINATIONS, USE M7928/1-XX TERMINAL.
 - PART (B) OF CONNECTOR IS NOT USED, S2800-9. CESSNA CODE FOR VENDOR P/N DPX2-57557533-0001. ITT CANNON, SANTA ANA, CA
 - AERO-ELECTRIC CONNECTOR CO., COMPTON, CA
 - REFER TO 8622002 FOR GND STUD INSTALLATION.
 - AEROSPACE OPTICS INC., FT WORTH, TEXAS, CI 32245.

DATE	09/25/2000	CESSNA AIRCRAFT COMPANY	AIRCRAFT DIVISION
DRN/IN	H. WICKKEY	P.O. BOX 7754	WICHITA, KANSAS 67277
GROUP			
CHECK			
SECT			
PROJ			
M.E.			
OTHER			
FABRICATE PER	CES2606	SIZE	FSOCH NO. DWG NO.
PROCESS PER	XXXXXXXXXXXXXX	F71379	8622108
WIRE TERMINATION PER	CES271E	SCALE:	
			SHEET 1 OF 1

8622108