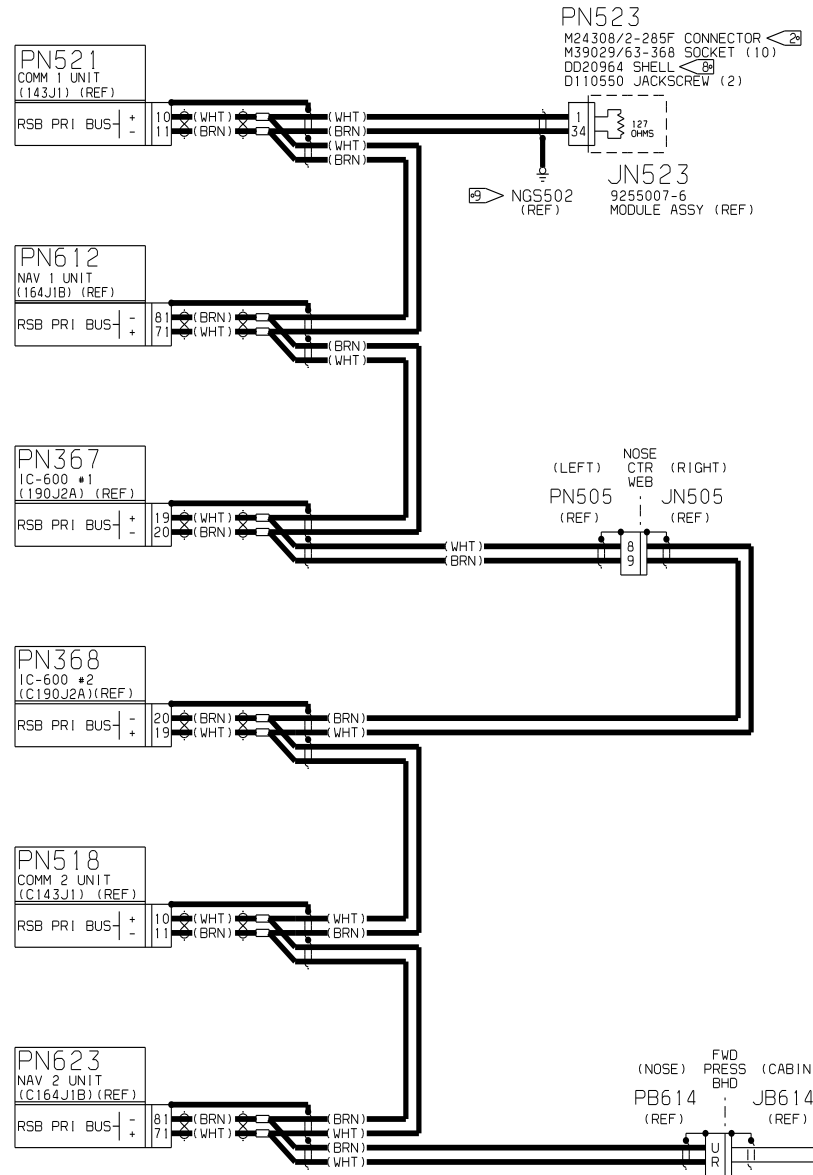


NOTES:

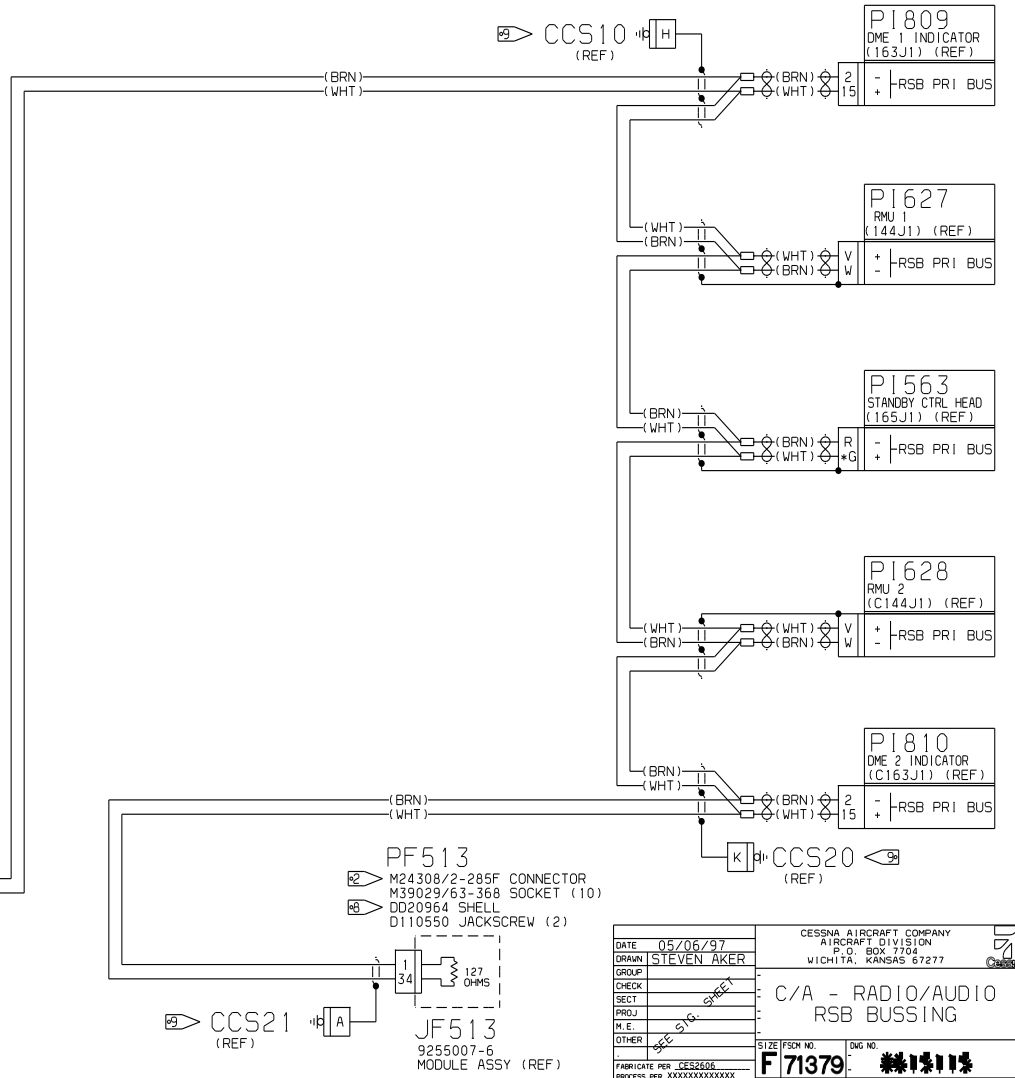
1. LINES SHOWN AS BOLD SHALL MEET THE HIRF GUIDELINES AS SPELLED OUT ON THE AVIONICS CABLE KIT, AND MANUFACTURED IN ACCORDANCE WITH CESSNA SPECIFICATION CSAM012.
2. AFFIX CM2987-5 10 TAG NEAR PLUG.
3. ALL WIRE PER MIL-W-81044/12, 22 AWG, EXCEPT AS NOTED.
4. TWISTED SHIELDED PAIR ASCB BUS WIRES (24 AWG) P/N CM3928-1 ARE TO BE INSTALLED PER CSPS 055 WHERE THE MINIMUM WIRE LENGTH BETWEEN THE USERS OR STUBS IS 23 INCHES.
5. TWISTED PAIR ASCB STUB BUS WIRES (24 AWG) P/N CM3928-1 ARE TO BE INSTALLED PER CSPS 055 WHERE THE MAXIMUM SUB BUS WIRE LENGTH IS 10 INCHES.
6. AN ASTERISK PRECEDING A LETTER INDICATES LOWER CASE.
7. MISC HARDWARE REQ:

M81824/1-1	SPLICE
S2974N3	SPLICE
S2974-3	SHIELD TERMINATION
S1367-1-6	TERMINAL
S1367-1-8	TERMINAL
S1367-1-10	TERMINAL

86 ITT CANNON ELECTRIC, SANTA ANNA, CA.
 89 REFER TO 8654500 FOR GROUND BLOCK/STUD LOCATIONS.



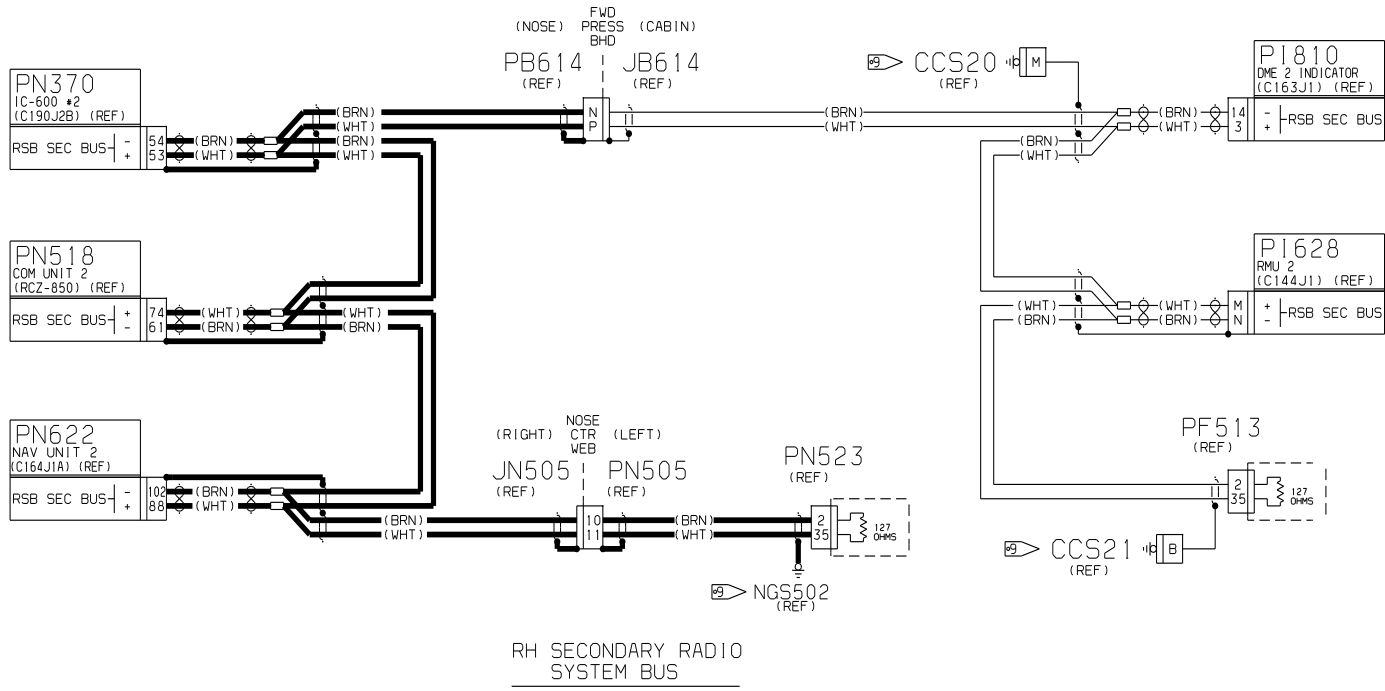
PRIMARY RADIO SYSTEM BUS



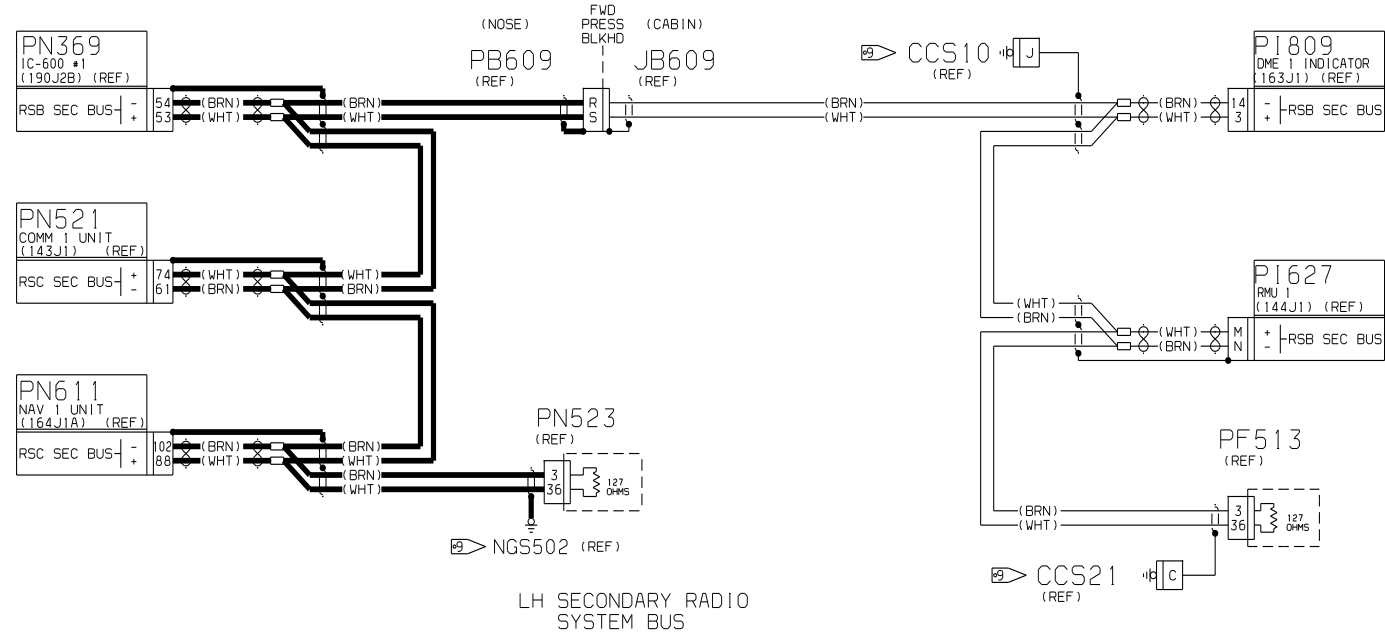
DATE	05/06/97	CESSNA AIRCRAFT COMPANY	
GROUP	STEVEN AKER	AIRCRAFT DIVISION	
CHECK		P.O. BOX 7704	
SECT		WICHITA, KANSAS 67277	
PRD J		C/A - RADIO/AUDIO	
M. E.		RSB BUSSING	
OTHER		SIZE	FSOJ NO.
		FABRICATE PER	CS2560
		PROCESS PER	XXXXXXXXXXXXXX
		WIRE TERMINATION PER	CS2712
		SCALE	NONE PARENT 8615102 SHEET 1 OF 3

CEC FORM 1872

REVISIONS				
SHEET	REV	DESCRIPTION	DATE	APPROVED

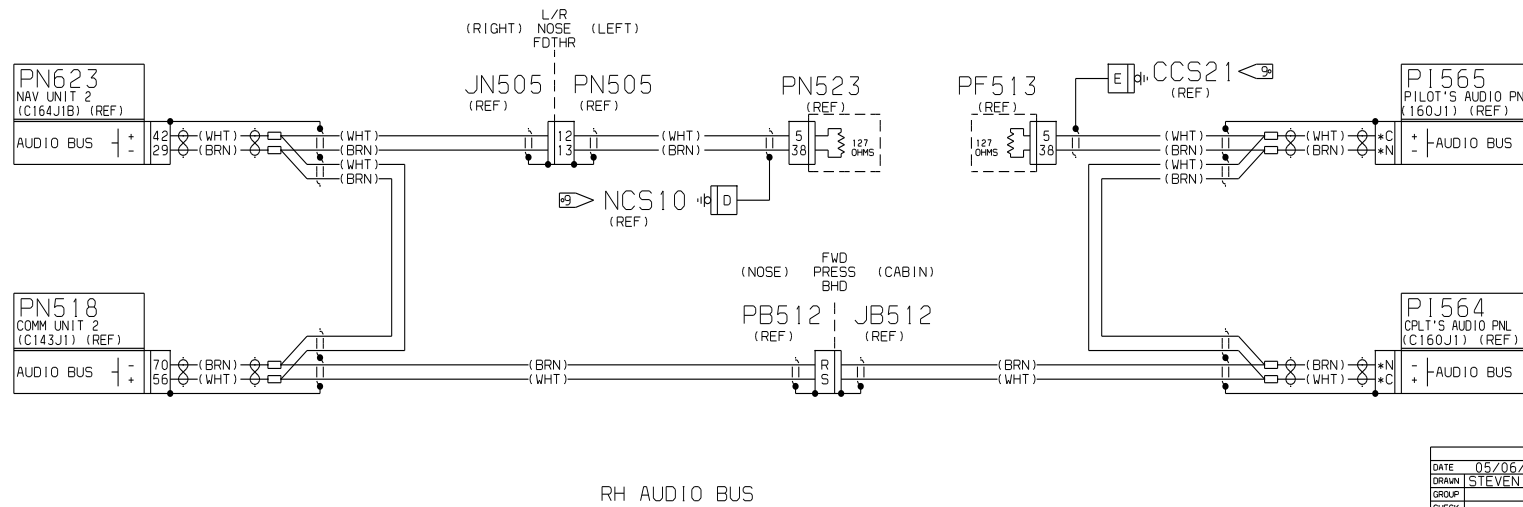
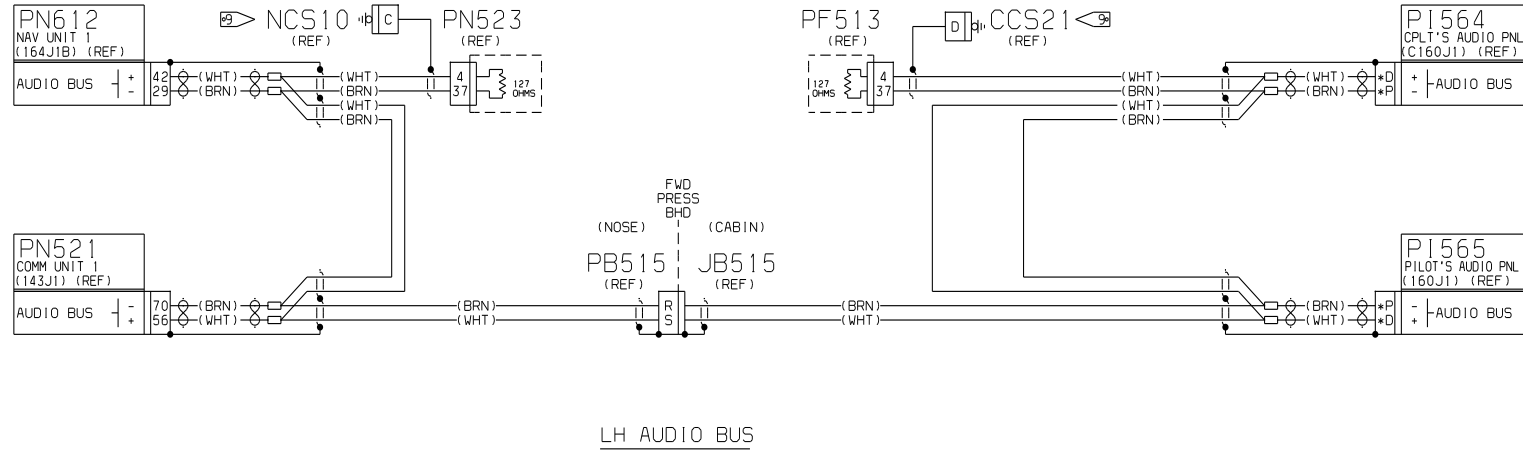


RH SECONDARY RADIO SYSTEM BUS



LH SECONDARY RADIO SYSTEM BUS

DATE	05/06/97	CESSNA AIRCRAFT COMPANY		
DRAWN	STEVEN AKER	AIRCRAFT DIVISION		
GROUP		P.O. BOX 7704		
CHECK		WICHITA, KANSAS 67277		
SECT		C/A - RADIO/AUDIO		
PRD J				
M. E.		RSB BUSSING		
OTHER		SIZE	FSOJ NO.	DWG NO.
FABRICATE PER_CES260A		F71379		
PROCESS PER_XXXXXX		SCALE NONE		
WIRE TERMINATION PER_CES271A		SHEET 2 OF 3		



DATE	05/06/97	CESSNA AIRCRAFT COMPANY AIRCRAFT DIVISION P.O. BOX 7704 WICHITA, KANSAS 67277	
GROUP	STEVEN AKER		
CHECK		C/A - RADIO/AUDIO RSB BUSSING	
SECT			
PRD.J			
M. E.			
OTHER		SIZE FSON NO.	DWG NO.
FABRICATE PER CES260A		F71379	
PROCESS PER XXXXXXXXXXXXX			
WIRE TERMINATION PER CES271E		SCALE NONE	SHEET 3 OF 3