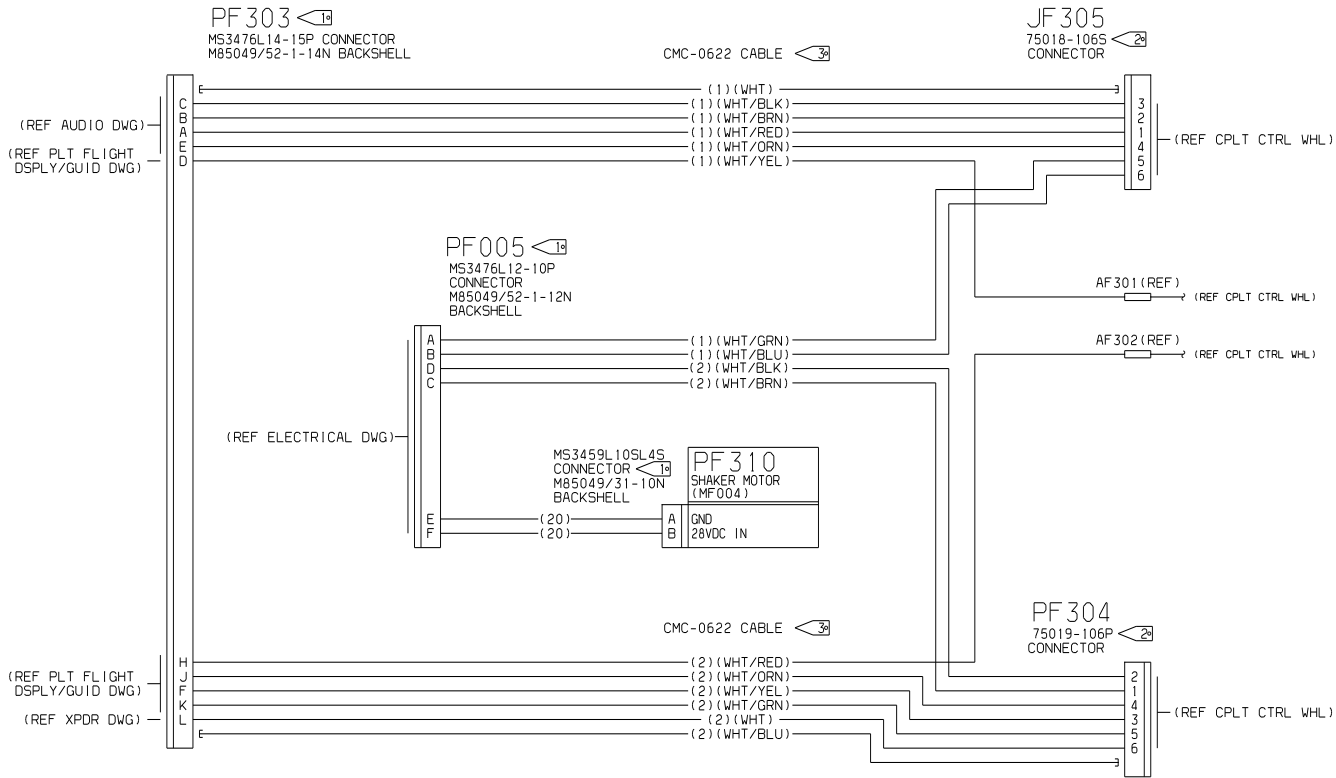


NOTES:

- 1 AFFIX CM2987-5 ID TAG NEAR PLUG.
- 2 DEUTSCH CO.  
HEMET, CA.
- 3 RAYCHEM CORPORATION  
MENLO PARK, CA.
- 4 THIS DWG FILED IN CCD.
- 5 ALL WIRE PER MIL-W-81044/12, 22 AWG, EXCEPT AS NOTED.

REVISIONS				
SHEET	REV	DESCRIPTION	DATE	APPROVED



DATE	04/05/01	CESSNA AIRCRAFT COMPANY	
DRAWN	H. WICKEY	AIRCRAFT DIVISION	
GROUP		P.O. BOX 7704	
CHECK		WICHITA, KANSAS 67277	
SECT		CABLE ASSY - COPILOT'S CONTROL COLUMN	
PROJ			
M. E.			
OTHER			
FABRICATE PER	CESS260A	SIZE	FSOCH NO.
PROCESS PER	XXXXXXXXXXXXXX	DWG NO.	
WIRE TERMINATION PER	CESS271E	F 71379 8612130	
SCALE:		SHEET 1 OF 1	

1  
8  
8612130  
6  
EC 47697