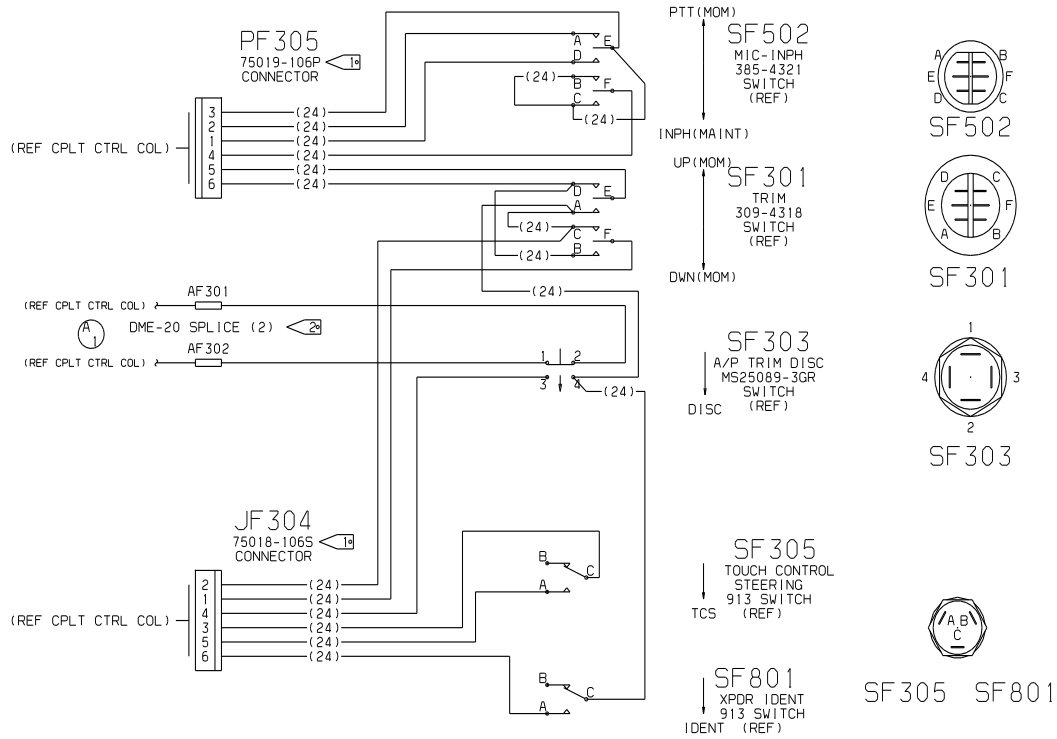


NOTES:

1. DEUTSCH CO. BANNING, CA.
2. DME ELECTRONICS WICHITA, KS.
3. ALL WIRE TO BE PER MIL-W-81044/12, 22 AWG, EXCEPT AS NOTED.
4. SLEEVE ALL EXPOSED SOLDER TERMINALS WITH HEAT SHRINK SLEEVING.

REVISIONS				
SHEET	REV	DESCRIPTION	DATE	APPROVED
	A	BY REVISION: 1) CHANGED SPLICE P/N: WAS DME-22 NOW DME-20 CHANGES MADE TO ANSWER PROBLEM WORKSHEET P151-0250 EFF: EC 34158 WO XL-0877	11/11/96 CRV	



DATE	02/06/96	CESSNA AIRCRAFT COMPANY
DRAWN	ROBERT SCOTT	AIRCRAFT DIVISION
GROUP		P.O. BOX 7704
CHECK		WICHITA, KANSAS 67277
SECT		
PROJ		
M. E.		
OTHER		
FABRICATE PER_CES2606		SIZE F50N NO.
PROCESS PER_XXXXXXX		DWG NO.
WIRE TERMINATION PER_CES2716		F 71379
SCALE:		SHEET 1 OF 1

EC 34158
 SHEET 1 OF 1
 11/11/96