

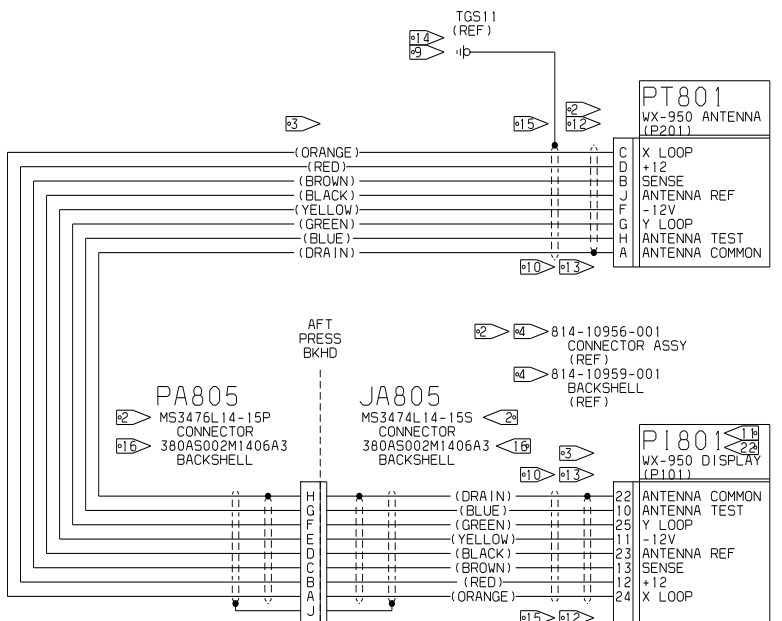
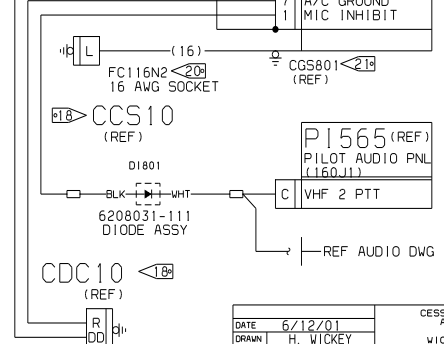
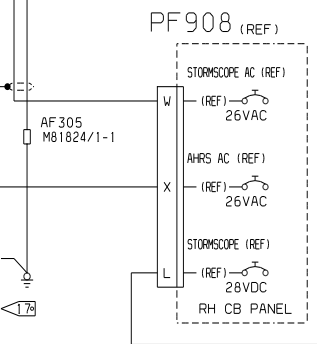
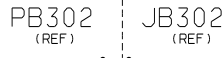
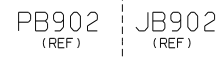
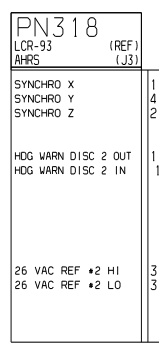
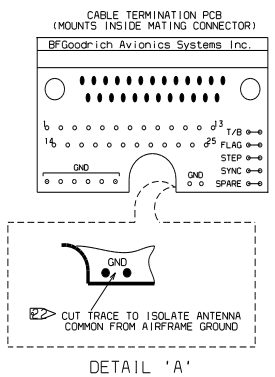
NOTES:

1. THIS DRAWING FILED IN CCD.
2. AFFIX CM2987-5 ID TAG NEAR PLUG.
3. ANTENNA CABLE TO BE ROUTED SEPARATE FROM OTHER AVIONICS BUNDLES AND CABLES.
4. PART OF BF GOODRICH FLIGHT SYSTEMS INC. HARDWARE KIT 817-10951-001 (REF) SUPPLIED WITH SYSTEM KIT 830-10950-002 (REF) WHICH IS CALLED OUT ON INSTRUMENT PANEL DRAWING.
5. MISCELLANEOUS HARDWARE:
 - MS25036-102 TERMINAL M7928/1-13 22GA NO 6 TERMINAL
 - MS25036-103 TERMINAL M7928/1-15 22GA NO 10 TERMINAL
 - S2974N3 SOLDER SLEEVE M81824/1-1 SPLICE
 - S2974N5 SOLDER SLEEVE S2974-8 SHIELD TERMINATION
6. USE ONLY WHEN TERMINATING 2 OR MORE CONDUCTORS. FOR SINGLE CONDUCTOR TERMINATIONS, USE M7928/1-XX TERMINAL.
7. ALL SINGLE CONDUCTOR WIRE PER M81044/12-XX-9 (XX=22 AWG EXCEPT AS NOTED).
 - SHIELDED PAIR PER M27500-22ML2T08
 - SHIELDED TRIPLE PER M27500-22ML3T08.
8. LINES SHOWN IN BOLD SHALL MEET THE HIRF REQUIREMENTS SPECIFIED ON THE AVIONICS INSTALLATION KIT, AND MANUFACTURED IN ACCORDANCE WITH CESSNA SPECIFICATION CSAM012.
9. VENDOR SUPPLIED GROUND BRAID MAY COME SUPPLIED WITH TERMINAL SMALLER THAN #10 STUD SIZE. IF SO, REMOVE AND CRIMP #10 STUD SIZE TERMINAL TO BRAID.
10. DRAIN WIRE SHIELD IS ISOLATED FROM THE EXTERNAL SHIELD AND MUST NOT COME IN CONTACT WITH EXTERNAL SHIELD. ANY EXPOSED DRAIN WIRE MUST BE COVERED WITH SHRINK SLEEVE.
11. CONFIGURATION JUMPERS ARE LOCATED WITHIN THE WX950 DISPLAY CONNECTOR ASSY. CONFIGURE JUMPERS AS DETAILED BELOW:

JUMPER	FUNCTION	CUT JUMPER
T/B	ANTENNA LOCATION BOTTOM	NO
SYNC	ENABLE SYNCHRO HEADING INPUT	YES
STEP	ENABLE STEPPING HEADING INPUT	NO
FLAG	HIGH LEVEL INPUT = VALID HDG	NO
SPARE	NOT USED	NO

12. ANTENNA CABLE IS BF GOODRICH P/N 803-10952-003. ANTENNA CONNECTOR IS PREASSEMBLED AS PART OF CABLE.
13. DRAIN WIRE IS INCLUDED IN ANTENNA CABLE. DO NOT INSTALL ADDITIONAL GROUND WIRE.
14. REFER TO STORMSCOPE ANTENNA INSTL DWG FOR GROUND STUD LOCATION.
15. INTERNAL AND EXTERNAL SHIELDS ARE ISOLATED FROM EACH OTHER. DO NOT CONNECT THESE SHIELDS TOGETHER.
16. GLENAIR, INC., GLENDALE, CA.

17. REFER TO INVERTER INSTL DWG FOR GROUND STUD LOCATION.
18. REFER TO GROUND BLOCK INSTALLATION DWG 8654500 FOR GROUND BLOCK/GROUND STUD LOCATIONS.
19. AN ASTERISK "*" PRECEDING A LETTER INDICATES LOWER CASE.
20. POSITRONIC IND INC., SPRINGFIELD, MO.
21. ATTACH LCS10-CGS801 GROUND WIRE TO CABLE CLAMP MOUNTING STUD LOCATED ON CABLE CONNECTOR SUBASSEMBLY FOR STORMSCOPE CHASSIS GROUND. FEED GROUND WIRE INTO THE STORMSCOPE ENCLOSURE ALONG WITH OTHER WIRING.
22. CUT TRACE ON CABLE CONNECTOR SUBASSEMBLY PER BF GOODRICH SERVICE MEMO SM*111. TRACE IS LOCATED ON THE BACKSIDE OF THE CONFIGURATION JUMPER PC BOARD. REFER TO DETAIL 'A'.



DATE	6/12/01	CESSNA AIRCRAFT COMPANY	
DRWN	H. WICKKEY	AIRCRAFT DIVISION	
GROUP		P.O. BOX 7704	
CHECK		WICHITA, KANSAS 67277	
SECT		CABLE ASSY -	
PROJ		WX-950 STORMSCOPE	
M.E.		W/ PRIMUS II RADIOS	
OTHER		SIZE	FSOCH NO. DWG NO.
FABRICATE PER	CES2606	F71379 8611114	
PROCESS PER	XXXXXXXXXXXXXX	SCALE: SCL (PARENT 8611110) SHEET 1 OF 1	
WIRE TERMINATION PER	CES2716	CES FORM 1872	

1
2
3
4
5
6
7
8
9
10
11
12
13
14
15
16
17
18
19
20
21
22
23
24
25
26
27
28
29
30
31
32
33
34
35
36
37
38
39
40
41
42
43
44
45
46
47
48
49
50