

**NOTES:**

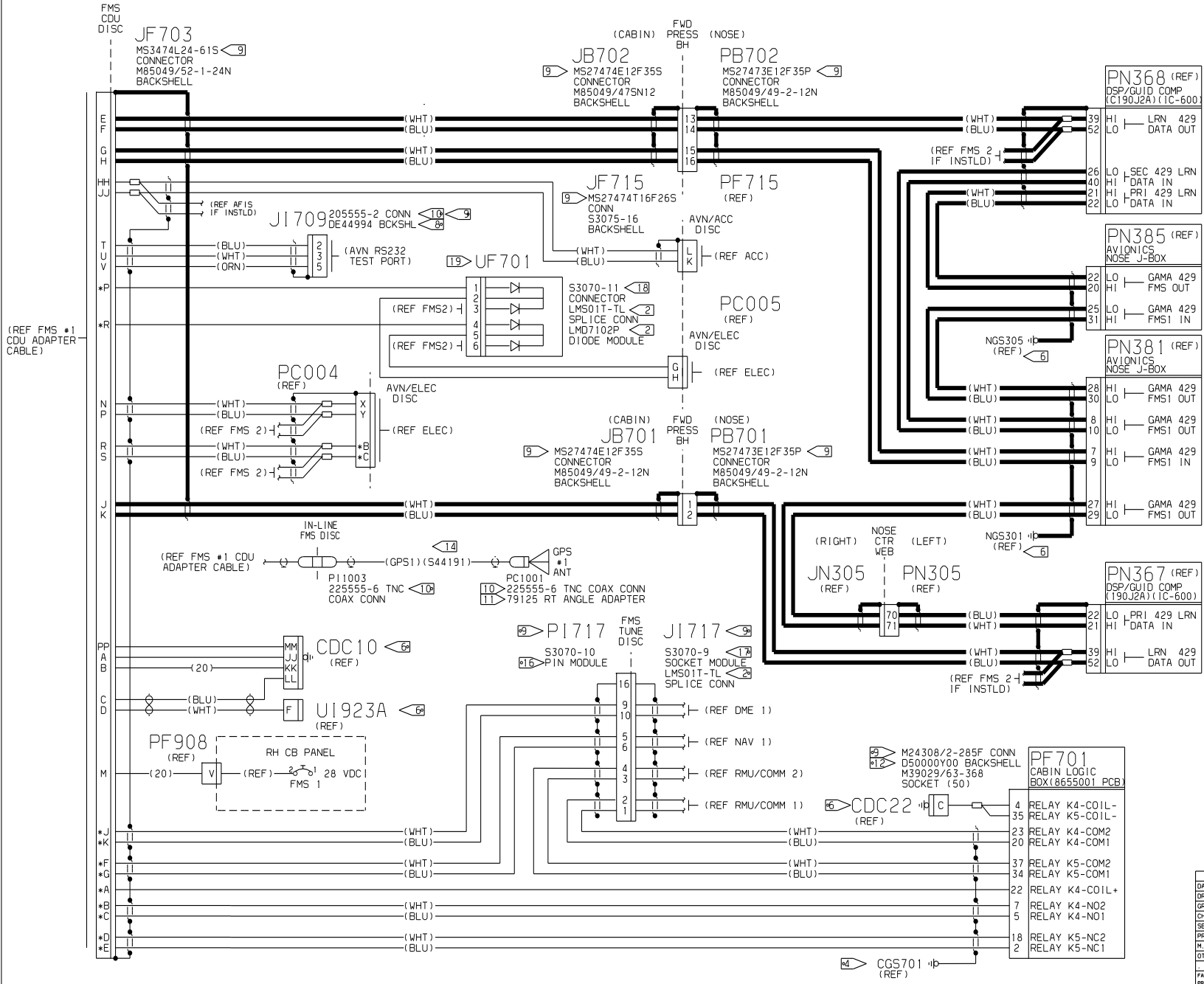
- THIS DRAWING FILED IN PROCADAM.
- PYLE NATIONAL, CHICAGO, IL.
- AEROSPACE OPTICS INC., FORT WORTH, TX.
- ALL SINGLE CONDUCTOR WIRE SHALL BE PER M81044/12-XX-9
- ALL SHIELDED PAIR PER M27500-XXML2T08
- ALL SHIELDED TRIPLE PER M27500-XXML3T08
- ALL TWISTED PAIR PER M27500-XXML2U00
- ALL XX=2 AVG EXCEPT AS NOTED)

- MISC HARDWARE REOD:
  - M81824/1-1 SPLICE S1367-1-6 TERMINAL
  - S2974-2 SLEEVE S1367-1-8 TERMINAL
  - S2974-3 SLEEVE S1367-1-10 TERMINAL
  - S2974N3 SLEEVE M7928/1-14 22GA NO.8 TERMINAL
  - M7928/1-15 22GA NO.10 TERMINAL
- SEE DWG 8654500 FOR GROUND BLOCK/STUD AND LIGHTING BLOCK LOCATIONS.
- LINES SHOWN AS BOLD SHALL MEET THE HIRF GUIDELINES AS SPELLED OUT ON THE AVIONICS CABLE KIT, AND MANUFACTURED IN ACCORDANCE WITH CESSNA SPECIFICATION CSAM012.
- ITT CANON, SANTA ANA, CA.

- AFFIX CM2987-5 10 TAG NEAR CONNECTOR
- AMP INCORPORATED, HARRISBURG, PA
- AMPHENOL, LOS GATOS, CA
- POSITRONIC INDUSTRIES, SPRINGFIELD, MO.
- AN ASTERISK INDICATES LOWER CASE LETTER.
- PIC WIRE AND CABLE, BROOKFIELD, WI.
- USE ONLY WHEN TERMINATING BRAIDED LEADS OR MULTIPLE WIRES, FOR SINGLE WIRE USE M7928/1-XX TERMINAL.
- S3070-10 (REF) IS CESSNA CODE FOR VENDOR P/N LMD4003P (REF) PIN MODULE AND LMD4022-36LJ (REF) PIN CONTACTS.

- S3070-9 (REF) IS CESSNA CODE FOR VENDOR P/N LMD4003S (REF) SOCKET MODULE AND LMD4122-96LD (REF) SOCKET CONTACTS.
- S3070-11 (REF) IS CESSNA CODE FOR VENDOR P/N LMD-4001-S (REF) SOCKET MODULE AND LMD-4120-96LD (REF) SOCKET CONTACTS.
- LOCATE AS CLOSE AS POSSIBLE TO JF703 CONNECTOR. SECURE COMPONENT TO WIRE BUNDLE WITH TIE WRAPS.

REVISIONS				
SHEET	REV	DESCRIPTION	DATE	APPROVED



<b>PN368</b> (REF)	DSP/GUID COMP (C190J2A) (IC-600)
39 HI	LRN 429
52 LO	DATA OUT
26 LO	SEC 429 LRN
40 HI	DATA IN
21 HI	PRI 429 LRN
22 LO	DATA IN

<b>PN385</b> (REF)	AVIONICS NOSE J-BOX
22 LO	GAMA 429
20 HI	FMS OUT
25 LO	GAMA 429
31 HI	FMS1 IN

<b>PN381</b> (REF)	AVIONICS NOSE J-BOX
28 HI	GAMA 429
30 LO	FMS1 OUT
8 HI	GAMA 429
10 LO	FMS1 OUT
7 HI	GAMA 429
9 LO	FMS1 IN

<b>PN367</b> (REF)	DSP/GUID COMP (190J2A) (IC-600)
22 LO	PRI 429 LRN
21 HI	DATA IN
39 HI	LRN 429
52 LO	DATA OUT

<b>PF701</b>	CABIN LOGIC BOX (8655001 PCB)
4	RELAY K4-CO1L-
35	RELAY K5-CO1L-
23	RELAY K4-COM2
20	RELAY K4-COM1
37	RELAY K5-COM2
34	RELAY K5-COM1
22	RELAY K4-CO1L+
7	RELAY K4-NO2
5	RELAY K4-NO1
18	RELAY K5-NC2
2	RELAY K5-NC1

DATE	12/16/98	CESSNA AIRCRAFT COMPANY AIRCRAFT DIVISION P.O. BOX 7704 WICHITA, KANSAS 67277
DRN	GARY SCHWEITZER	
GROUP		<b>CABLE ASSY-FMS#1</b> UNIVERSAL (UNS-1Csp)
CHECK		
SECT		
PRD J		
M.E.		
OTHER		SCALE: NONE PARENT: 8623126 SHEET 1 OF 1 SIZE: FSON NO. DWG NO. <b>F71379</b> 8623143 FABRICATE PER CES260A PROCESS PER XXXXXXXXXX WIRE TERMINATION PER CES218.

8623143