

P1565
PILOT AUDIO
(C160J1)

MS27473E20F41S
CONNECTOR
M85049/49-2-20N
BACKSHELL

VHF 1 PTT
VHF 1 MIC (H)
VHF 1 MIC (L)

EMER COMM PTT
EMER COMM MIC (H)
EMER COMM MIC (L)

VHF 2 PTT
VHF 2 MIC (H)
VHF 2 MIC (L)

EMER COMM (H)
EM NAV/COMM (L)

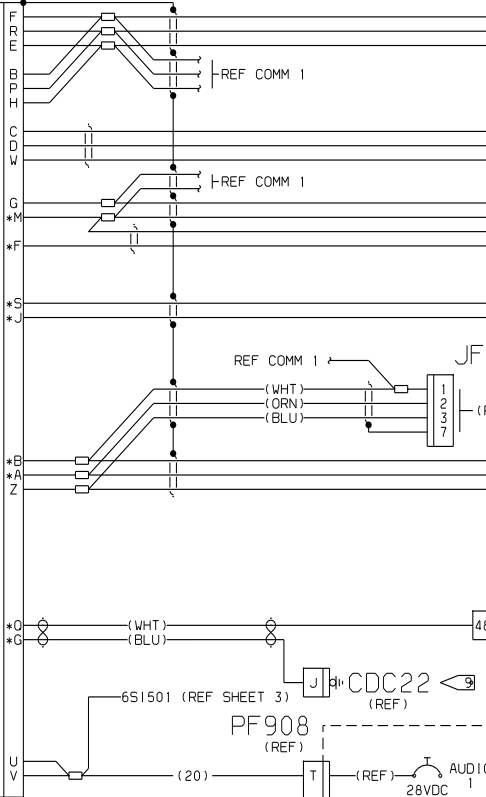
EMER NAV (H)

INPH IN/OUT (H)
INPH IN/OUT (L)

HF 1 PTT
HF 1 MIC (H)
HF 1 MIC (L)

+5VDC LIGHTING
LIGHTING GND

+28 VDC PWR
+28 VDC PWR



PC515
AURAL WARN UNIT 1
(J1)

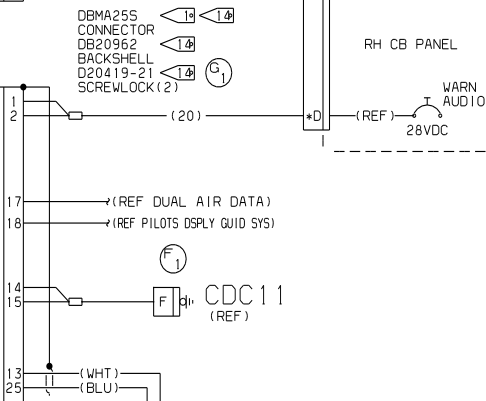
DBMA25S
CONNECTOR
DB20962
BACKSHELL
D20419-21
SCREWLOCK (2)

+28VDC
+28VDC

OVERSPEED
ALTITUDE ALERT

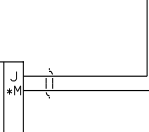
GROUND
GROUND

WARN AUDIO OUT
H
L



P1567 (REF)
PILOT AUDIO
(C160J2)

WARN AUDIO 3
L
H



MS27473E20F41S
CONNECTOR
M85049/49-2-20N
BACKSHELL

P1564
COPILOT AUDIO
(C160J1)

VHF 1 PTT
(H) VHF 1 MIC
(L) VHF 1 MIC

EMER COMM PTT
(H) EMER COMM MIC
(L) EMER COMM MIC

VHF 2 PTT
(H) VHF 2 MIC
(L) VHF 2 MIC

(H) EMER COMM
(L) EM NAV/COMM

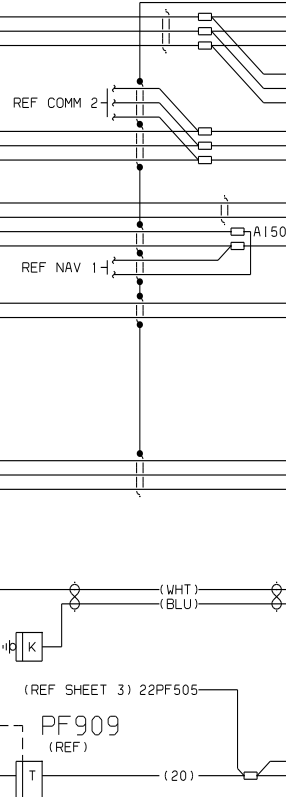
(H) EMER NAV

(H) INPH IN/OUT
(L) INPH IN/OUT

HF 1 PTT
(H) HF 1 MIC
(L) HF 1 MIC

+5VDC LIGHTING
LIGHTING GND

+28 VDC PWR
+28 VDC PWR



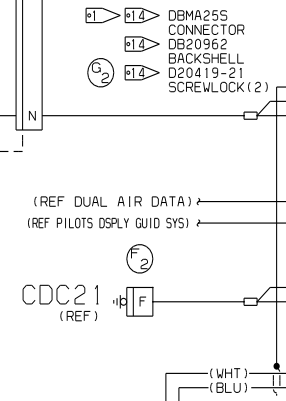
PF515
AURAL WARN UNIT 2
(CJ1)

+28VDC
+28VDC

OVERSPEED
ALTITUDE ALERT

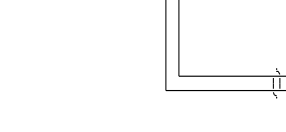
GROUND
GROUND

WARN AUDIO OUT
H
L



P1566 (REF)
COPILOT AUDIO
(C160J2)

WARN AUDIO 3
L
H



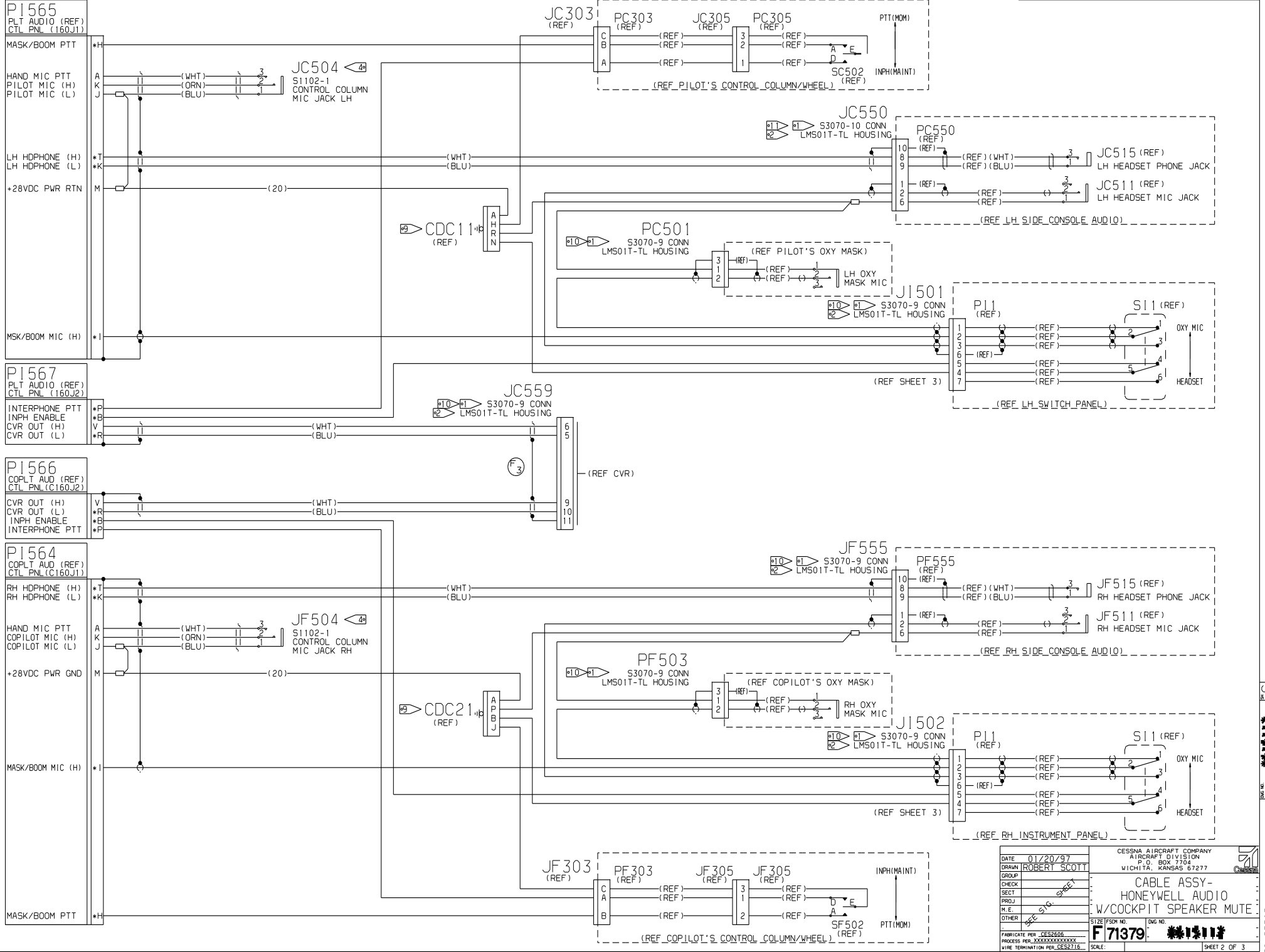
REVISIONS				
SHEET	REV	DESCRIPTION	DATE	APPROVED
	F	REDRAWN WITH CHANGES:	03/18/98	
1		1) MOVED WIRE FROM TCDC10 TO FCDC11.		
1		2) MOVED WIRE FROM HCDC20 TO FCDC21.		
2		3) ADDED SHIELD TERMINATION TO PINS 5 & 6 OF JC559. EFF: EC 37707		
	G	REDRAWN WITH CHANGES:	09/30/98	
1		1) ADDED D20419-21 SCREWLOCKS TO PC515 CONNECTOR.		
1		2) ADDED D20419-21 SCREWLOCKS TO PF515 CONNECTOR.		
1		3) ADDED NOTE 14. EFF: EC 41600		

NOTES:

- AFFIX CM2987-5 ID TAG NEAR PLUG.
- PYLE NATIONAL, CHICAGO, IL.
- DEUTSCH CO., BANNING, CA.
- TERMINAL NUMBERS ON MIC AND PHONE JACKS ARE AS FOLLOWS: 1 = SLEEVE, 2 = RING, 3 = TIP.
- ALL SINGLE CONDUCTOR WIRE SHALL BE PER M81044/12-XX-9 SHIELDED SINGLE CONDUCTOR PER M27500-(XX)ML1T08 SHIELDED PAIR CONDUCTOR PER M27500-(XX)ML2T08 SHIELDED TRIPLE PER M27500-(XX)ML3T08 TWISTED PAIR PER M27500-(XX)ML2U00. (XX=22 AWG EXCEPT AS NOTED)
- SLEEVE ALL EXPOSED TERMINALS WITH HEAT SHRINK SLEEVEING.
- MISCELLANEOUS HARDWARE:
M81824/1-1 SPLICE
D436-52 SPLICE
S2974N2 SLEEVE
S2974N3 SLEEVE
- AN ASTERISK PRECEEDING A LETTER INDICATES LOWER CASE.
- SEE DWG 8654500 FOR GROUND/LIGHTING BLOCK LOCATION.
- S3070-9 IS CESSNA CODE FOR VENDOR P/N LMD40035 SOCKET MODULE AND LMD4122-96LD SOCKET CONTACTS OF PYLE NATIONAL, CHICAGO, IL.
- S3070-10 IS CESSNA CODE FOR VENDOR P/N LMD40035 PIN MODULE AND LMD4022-36LJ PIN CONTACTS OF PYLE NATIONAL, CHICAGO, IL.
- AERO ELECTRIC CONNECTOR, COMPTON, CA.
- THIS DRAWING FILED IN PROCADAM.
- ITT CANNON, SANTA ANNA, CA.

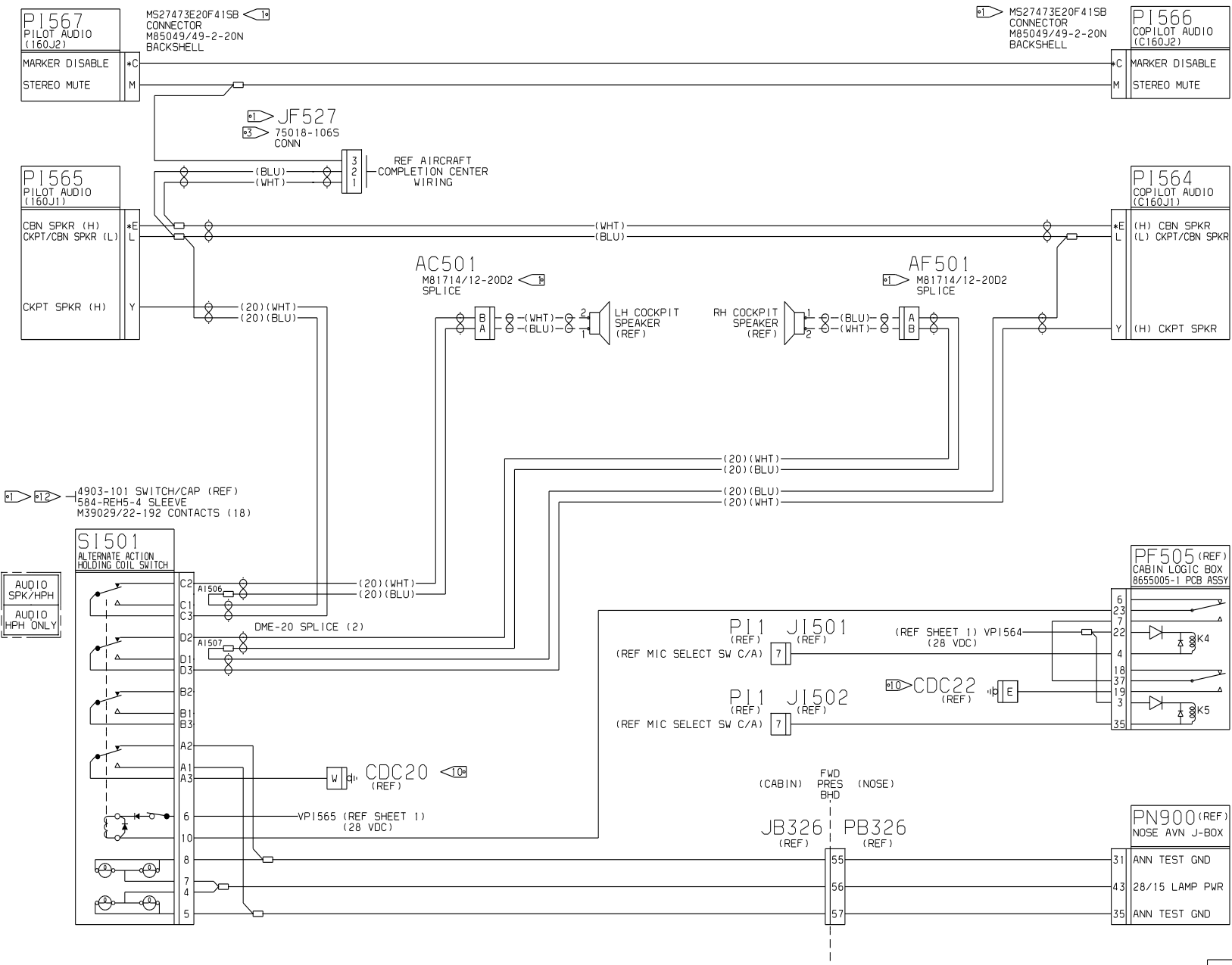
DATE	01/20/97	CESSNA AIRCRAFT COMPANY AIRCRAFT DIVISION P.O. BOX 7704 WICHITA, KANSAS 67277	
DRAWN	ROBERT SCOTT		
GROUP		CABLE ASSY - HONEYWELL AUDIO W/COCKPIT SPEAKER MUTE.	
CHECK		F71379	
PROJ		SIZE FSON NO. DWG NO.	
SECT		F71379	
M.E.		SCALE: SHEET 1 OF 3	
OTHER		FABRICATE PER CES2606 PROCESS PER XXXXXXXXXX WIRE TERMINATION PER CES2716	

EC 37707



DATE	01/20/97	CESSNA AIRCRAFT COMPANY AIRCRAFT DIVISION P.O. BOX 7704 WICHITA, KANSAS 67277	
DRAWN	ROBERT SCOTT		
GROUP		CABLE ASSY - HONEYWELL AUDIO W/COCKPIT SPEAKER MUTE.	
CHECK			
SEC			
PROD			
M.E.			
OTHER		FABRICATE PER CES2604	DWG NO.
		PROCESS PER XXXXXXXXXXXXX	F71379
		WIRE TERMINATION PER CES2718	SCALE:

EC 37707



DATE	01/20/97	CESSNA AIRCRAFT COMPANY AIRCRAFT DIVISION P.O. BOX 7704 WICHITA, KANSAS 67277			
DRAWN	ROBERT SCOTT				
GROUP		CABLE ASSY - HONEYWELL AUDIO W/COCKPIT SPEAKER MUTE.			
CHECK					
SECT					
PROJ					
M.E.					
OTHER		SIZE	F71379	DWG NO.	
FABRICATE PER CES260A		SCALE:		SHEET 3 OF 3	
PROCESS PER XXXXXXXXXXXXX					
WIRE TERMINATION PER CES271E					

EC 37707